

TUB DOORS • SHOWER DOORS

INSTALLATION INSTRUCTIONS

TUB DOORS:

LBTDH6062

SHOWER DOORS:

LBSDH4876

LBSDH6076



PREPARATION FOR INSTALLATION



READ ALL INSTRUCTIONS BEFORE UNPACKING THE PRODUCT

CAUTION!



TWO PERSON LIFT REQUIRED

2 PEOPLE ARE REQUIRED TO LIFT AND DURING ENTIRE INSTALLATION OF THIS PRODUCT

LessCare reserves the right to change, update, modify, alter, redesign this manual/product or its policies without prior notice! It is your responsibility to visit website to download or contact customer service for the most updated version of the installation instructions.

LessCare shall not be liable for any injuries or property damages in connection with this product during installation or use of this product!

IMPORTANT UNPACKING INSTRUCTIONS:

When you have open top carton box lid, do not take shower glass doors or panels out before you read this and have this items in place. Have a soft cloth blanket min ¼" thick and make sure cloth blanket is bigger then your glass doors or panels in your working area place. Set this soft cloth blanket on the floor of working area. Take out shower glass doors or panels out from the Carton box and set it on the soft cloth blanket. Do not lean it on the wall or floor without the soft cloth blanket.

ATTENTION! Never set glass on floor or tile or solid floor or wall surface without a soft cloth blanket if you set it without soft cloth blanket it will cause scratches to the tempered glass and this will cause it to shatter right away or when installed or when you start using it, improper handling causes scratches on the glass doors or panels. When installing glass doors or panels be sure your have inspected glass doors or panels fully before installing it. Do not install and Stop installation if you see or find scratches or chipped corners on your glass doors or panels. NEVER set glass doors or panels on its corners make sure the your floor is level with the soft cloth blanket when preparing glass doors or panels for installation.

After opening all boxes and packages, read this introduction carefully. Check that all of the needed parts are included in the package by checking all the components on the diagram of components. Examine boxes and packages for shipping damage. If the unit has been damaged or missing parts, please contact our customer support department immediately. Please note that LessCare will not replace any damaged products or missing parts after 2 business days of the order receipt.

VERY IMPORTANT! Double check all glass corners and four edges of all glass door and panels to make sure that all the glass are in perfect condition and without any scratches or chipped corners. Do not try to install the shower door, if there is any scratches or chipped corners. Note, that you should consult your local building codes with questions on installation compliance standards. Building and plumbing codes may vary from state to state and location. LessCare is not responsible for code compliance standards for your project and will not accept any returns. Prior to installation, ensure that the installation surface is leveled and solid, and will be able to support the total weight of the unit. Also, make sure the walls are at the right angles. Irregular installation surface level or improper angle of side walls will result in serious problems during installation. Note, that some adjustments and drilling will be necessary during the installation process.

VERY IMPORTANT! Installation of this extremely heavy product to the wall requires minimum of 2" x 4" wood stud framing behind the wall.



INSTRUCTIONS THAT, IF IGNORED COULD RESULT IN SERIOUS INJURY OR DEATH CAUSED BY INCORRECT HANDLING OR INSTALLATION OF THE PRODUCT. THESE INSTRUCTIONS MUST BE OBSERVED FOR SAFE INSTALLATION!

LICENSED AND INSURED PROFESSIONAL CONTRACTOR IS REQUIRED TO INSTALL THIS PRODUCT INCLUDING ASSISTANCE OF A SECOND PERSON DURING INSTALLATION

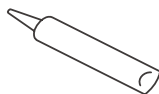
No modifications to the product are allowed. Modifications of any types to the product will result in serious injuries or may cause death.

IMPORTANT: Do not install the handle on to the glass door until the instruction tells you to do so. Never lift the glass using the handle. Failure to do so will result in serious personal injury and could cause damages to the glass. Professional graded glass suction cups are highly recommended while handling extremely heavy glass. This product must be installed on a finished threshold and against finished walls only. This product is intended for residential use only.

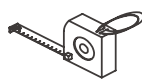
TOOLS REQUIRED



Soft Cloth or Blanket



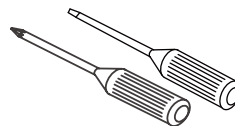
Silicone



Tape Measure



Pencil/Marker



Philips/Straight Screwdriver



Drill Bit
ø = 5/16"



Drill Bit
ø = 1/8"



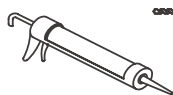
Safety Glass



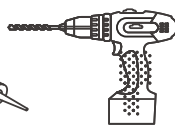
Knife



Level



Caulk Gun



Drill



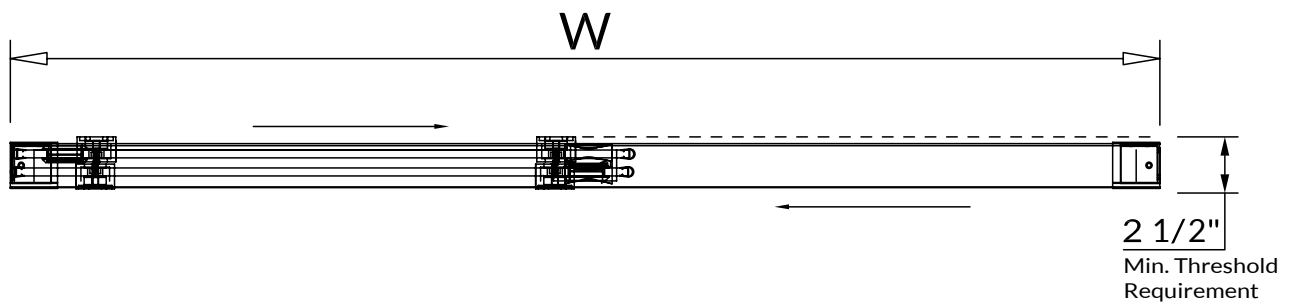
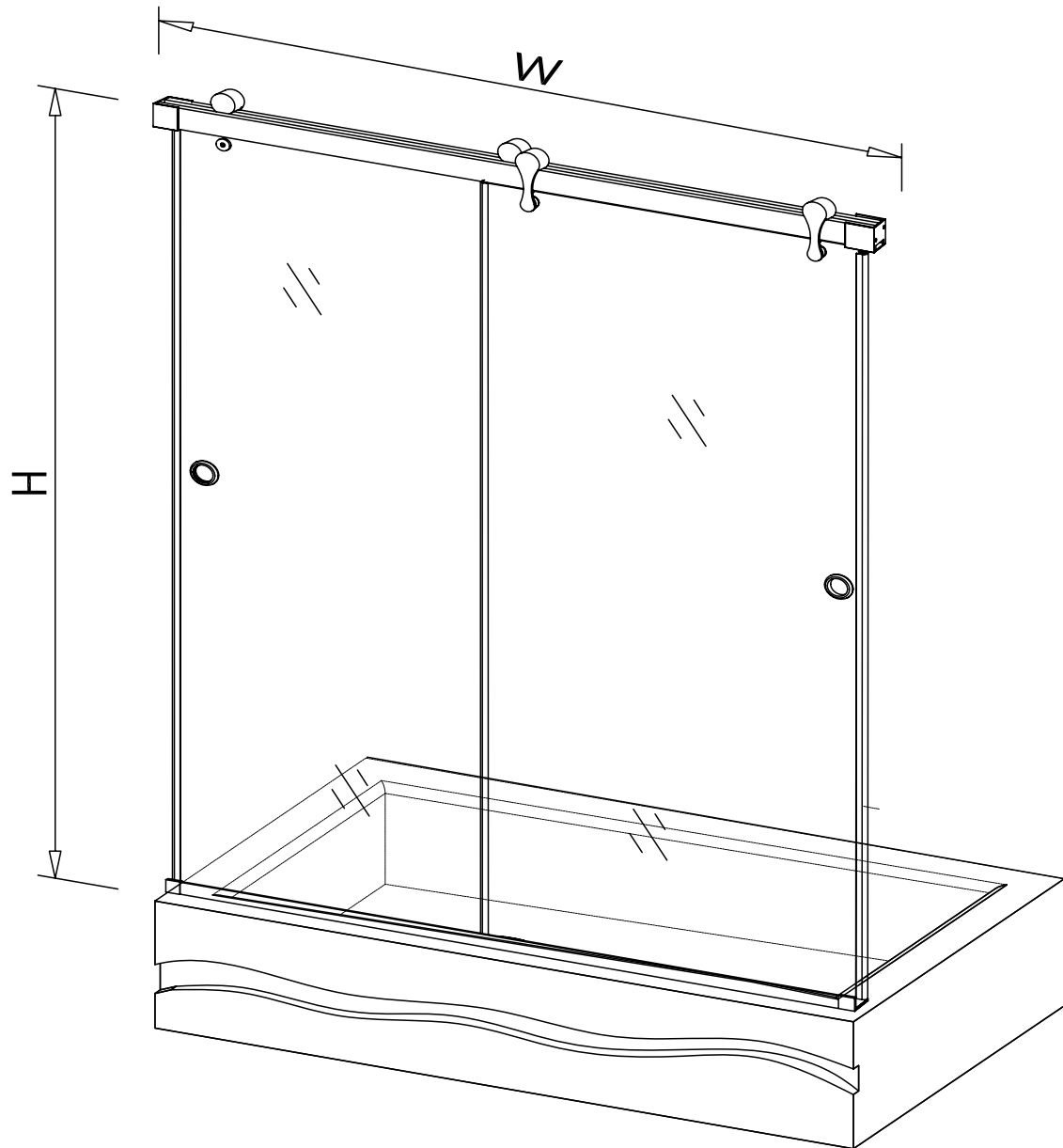
Hammer



Soft Wood Shim

OTHER TOOLS MAY BE REQUIRED

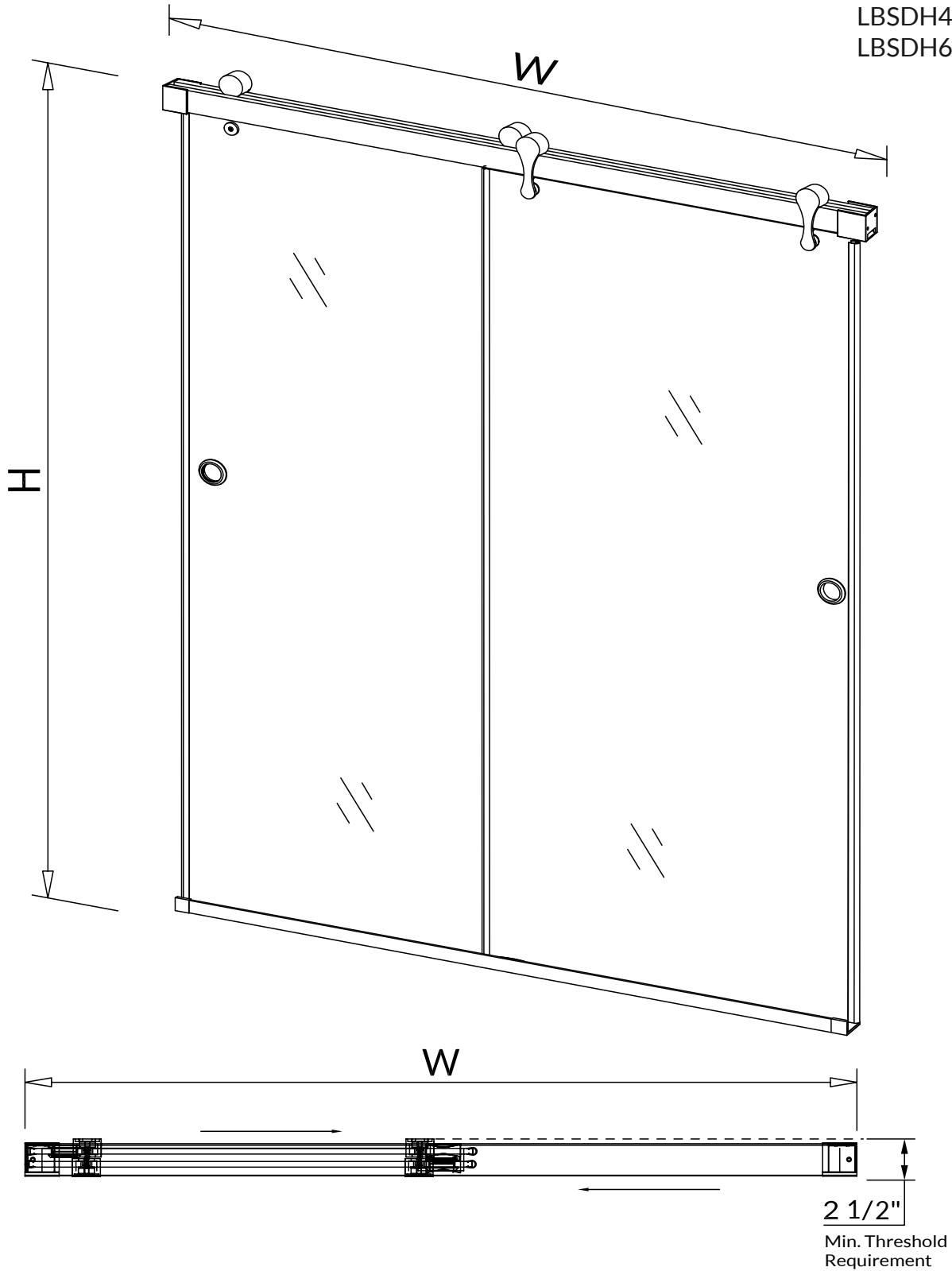
www.lesscare.com



Threshold Requirement (Size): 2 1/2"

SAFETY IMPORTANT NOTE: Installation of shower or bathtub door requires to be installed only on smooth and flat surface of both walls and threshold base (shower base or bathtub).

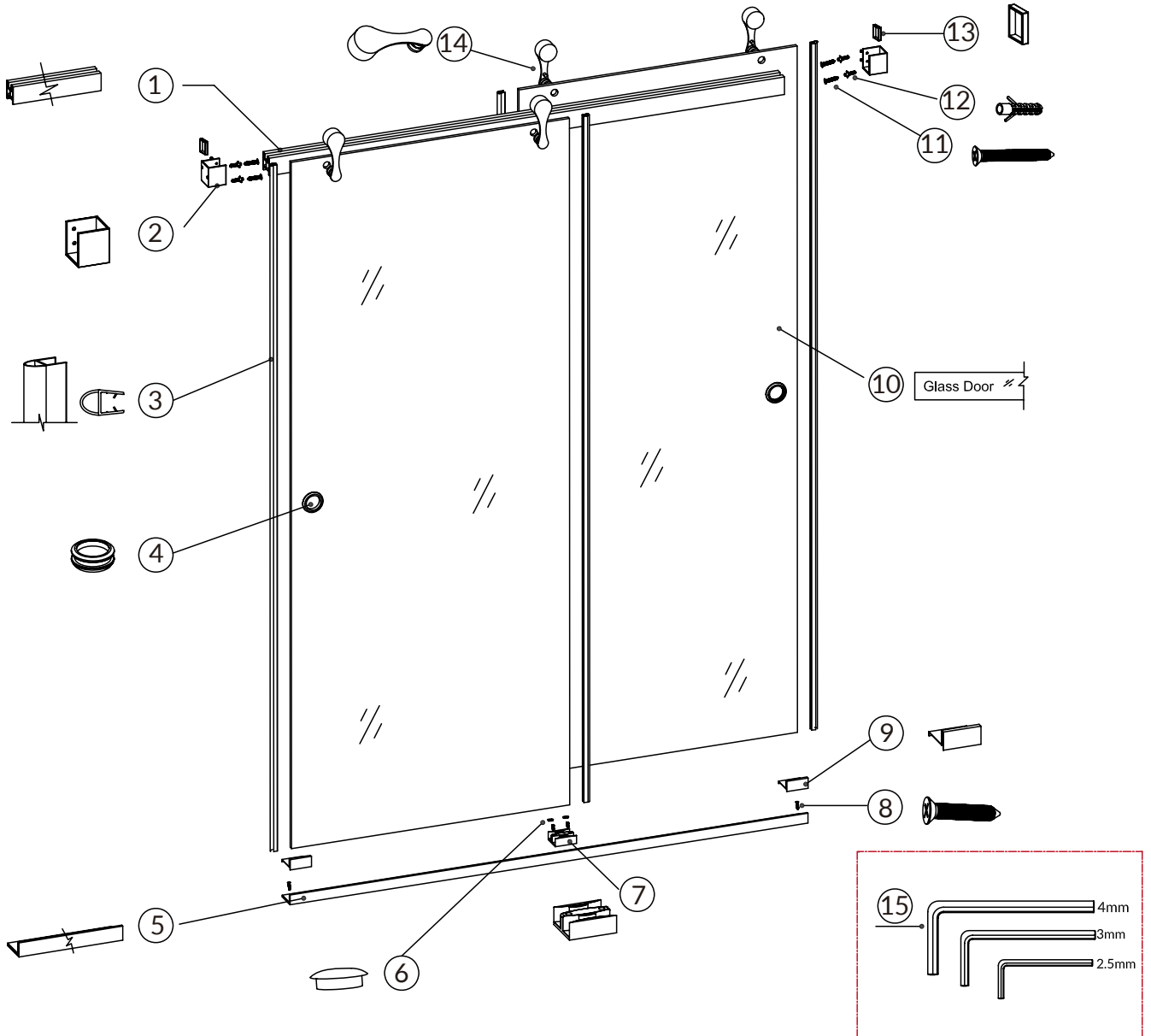
MODELS:
LBSDH4876
LBSDH6076



Threshold Requirement (Size): 2 1/2"

SAFETY IMPORTANT NOTE: Installation of shower or bathtub door requires to be installed only on smooth and flat surface of both walls and threshold base (shower base or bathtub).

SHOWER DOOR COMPONENTS



Item#	Description	Qty
1	Top Guide Rail	1 pc
2	Guide Rail Holder	2 pcs
3	Bumper Strip	4 pcs
4	Recess Handle	2 pcs
5	Bottom Track	1 pc
6	Decoration Cover for Guide Block	2 pcs
7	Guide Block(preinstalled on the bottom track)	1 pc
8	Countersunk Self-tapping Screw M4X30	2 pcs

Item#	Description	Qty
9	Decoration Cover for Bottom Track	2 pcs
10	Glass Door	2 pcs
11	Countersunk Self-tapping Screw M5X60	4 pcs
12	Wall Anchor	4 pcs
13	Guide Rail Holder Block	2 pcs
14	Roller	4 pcs
15	Allen Key	3 pcs

INSTALLATION STEPS

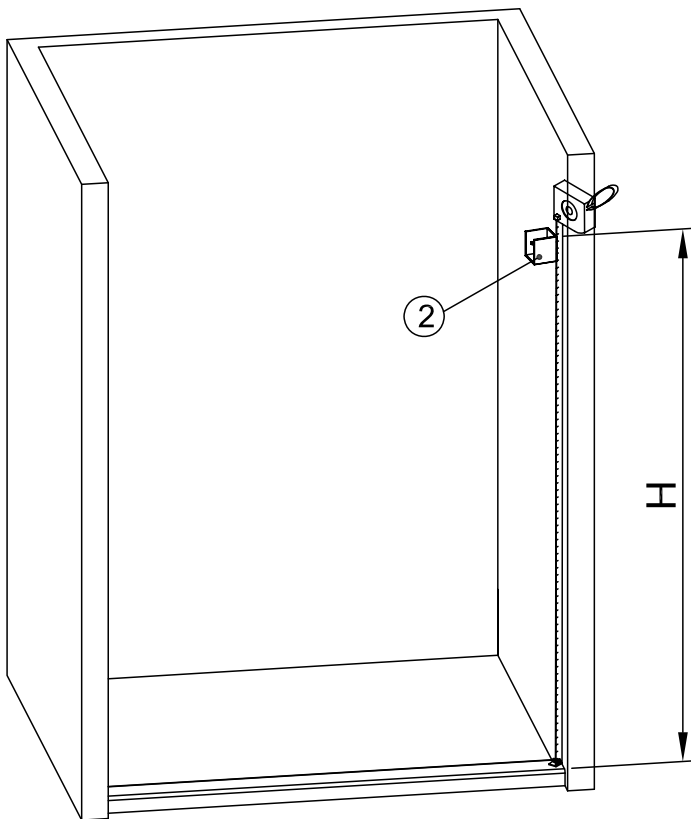


Figure 1

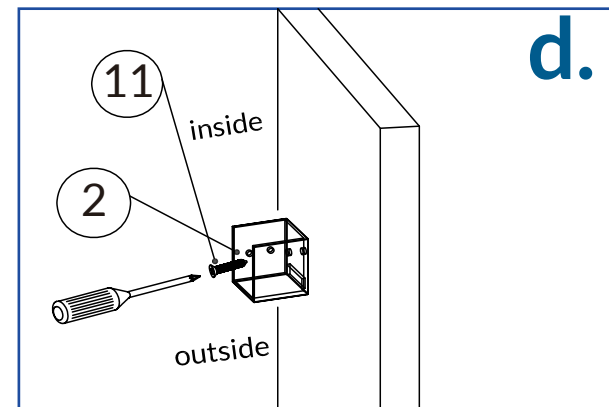
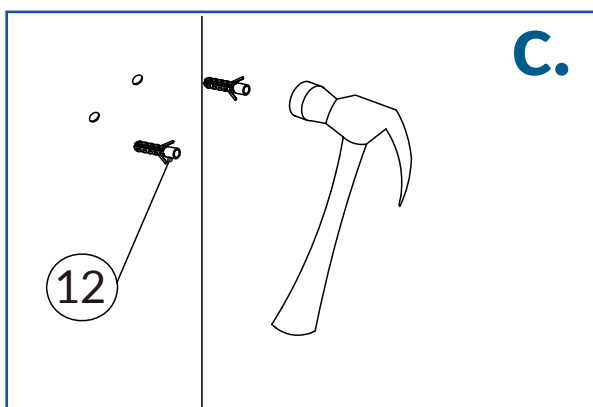
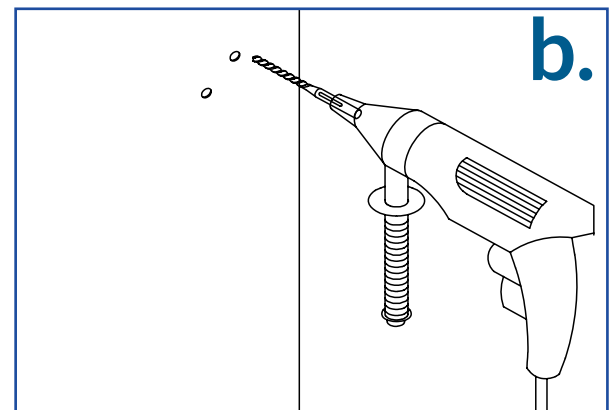
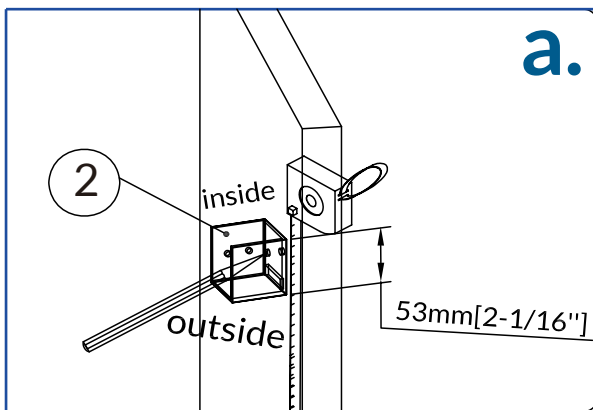
1. Use a tape measure to get the location of the Guide Rail Holder(2). The height should be 76" (shower door) or 62" (tub door) from the shower base or bathtub to the top of the Rail Holder.

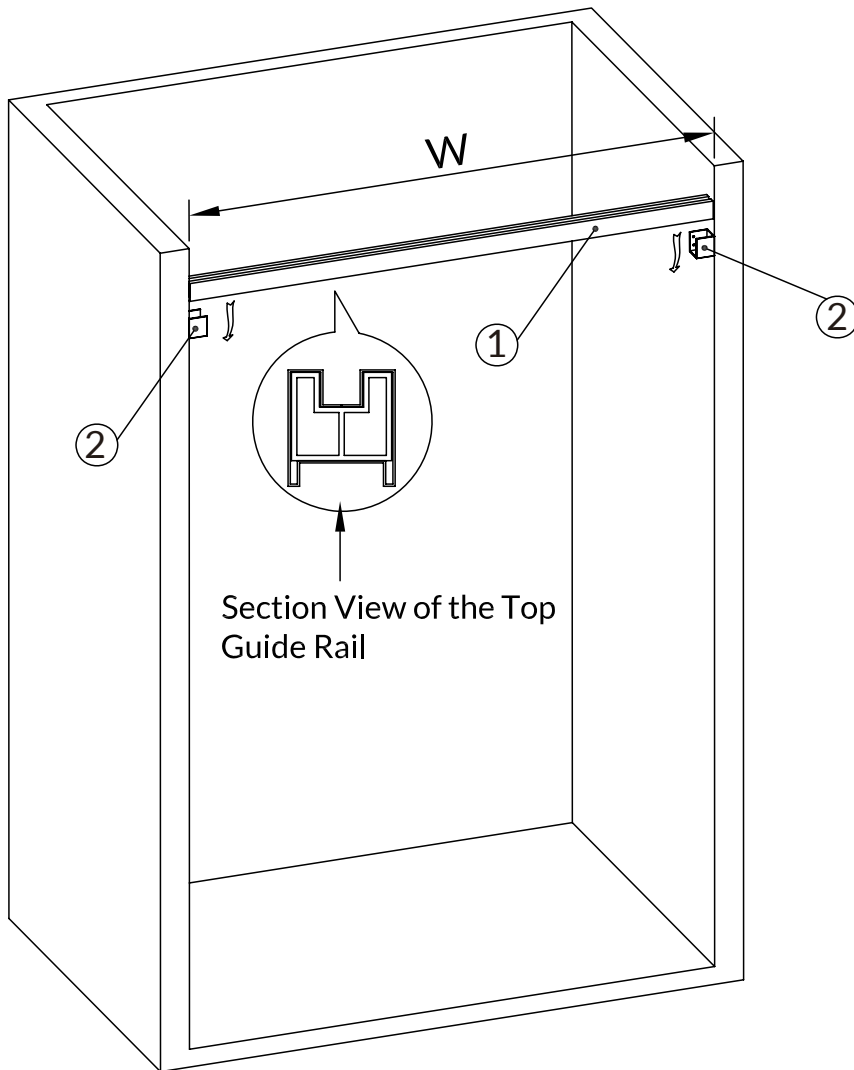
2. Once the Guide Rail Holder(2) location is fixed, mark down the 2 predrilled holes on the wall, using a pencil or marker, to prepare for drilling. Noted that the Rail holder should be placed with the two smaller screws facing inside the shower. Now, drill 2 holes in the wall using 8mm (5/16") Drill Bit. Insert the 2 Wall Anchors(12) and hammer them in. Secure the Top Guide Rail Holder to the wall by using 2 M5x60mm Countersunk Self-Tapping Screws(11).

See Figure 1 for details.

Note: the Guide Rail Holder should be installed with the two smaller screw facing inside the shower.

NOTE: The other Guide Rail Holder should be installed in the same way above

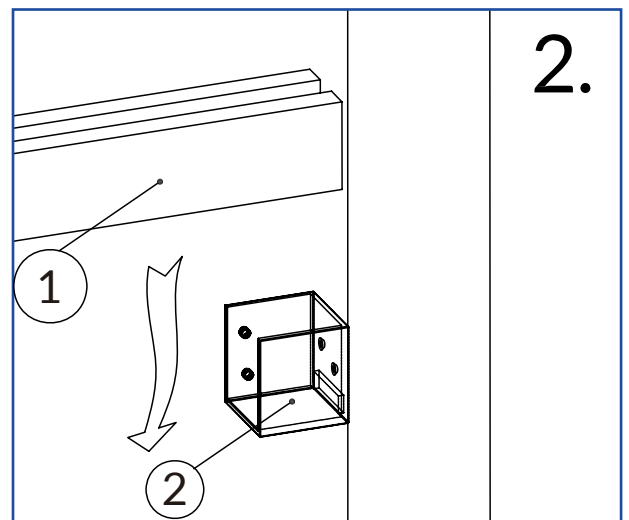
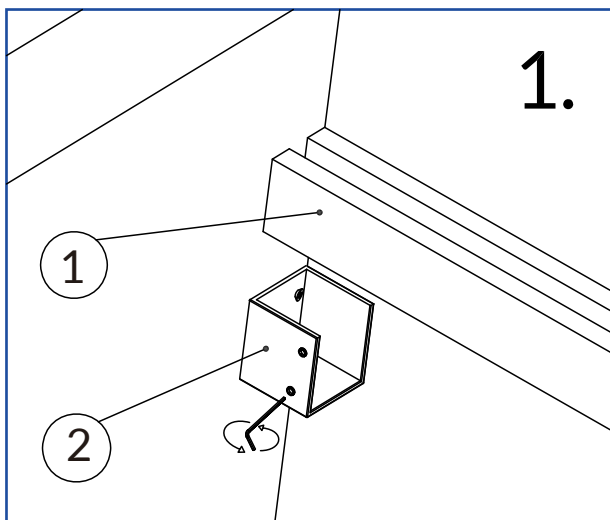




3. Loosen the hex screws inside the Guide Rail Holder(2) before putting the Top Guide Rail (1) inside the holder. Put the Top Guide Rail into the holder slightly.

See Figure 2 for details.

Figure 2



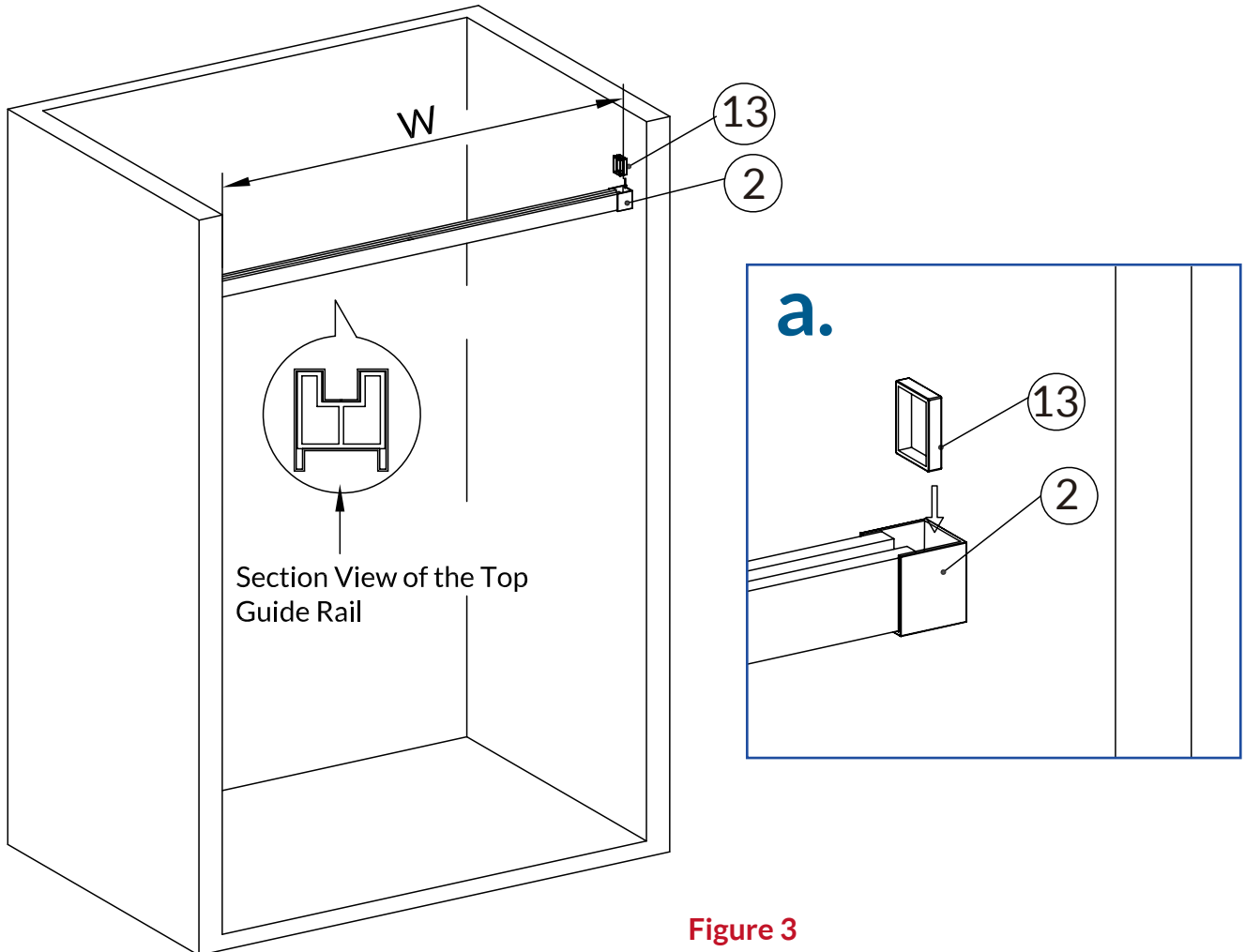


Figure 3

IMPORTANT: It's not necessary to put the Holder Block (13) to the Guide Rail Holder(2) if the installation width (shower space width) is less than 59-1/2".

8. If distance between the two finished walls is between 59-1/2" and 60", before putting the Top Guide Rail(1) into the Rail Holder(2), it is necessary to place two Holder Blocks(13) inside the holders. This is to make sure that when adjusting the guide rail and moving it outside of the holder from one side, the other side of the guide rail will not fall down because this is the max width.

See Figure 3 for details.

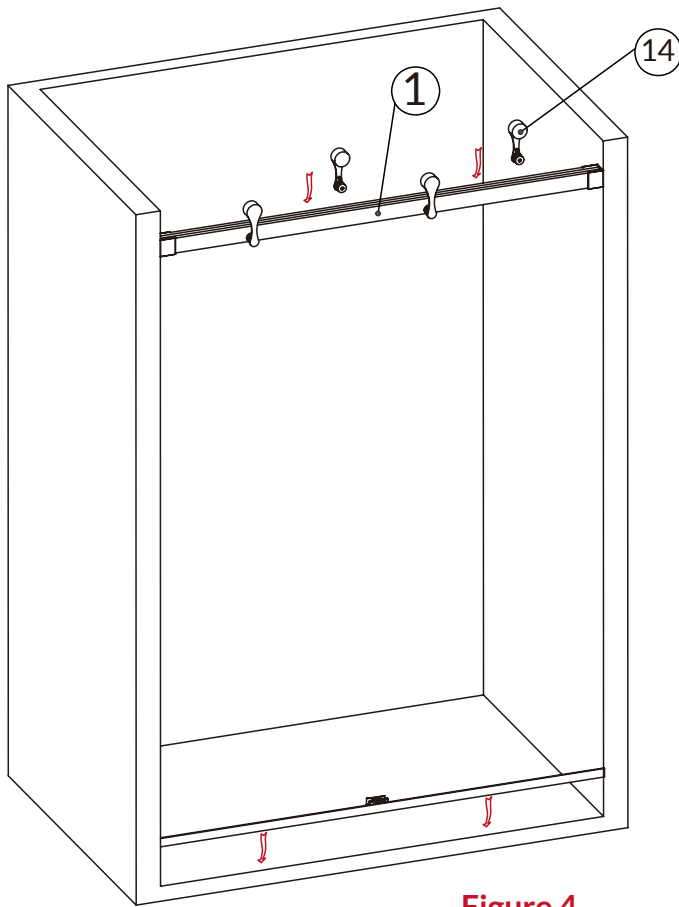


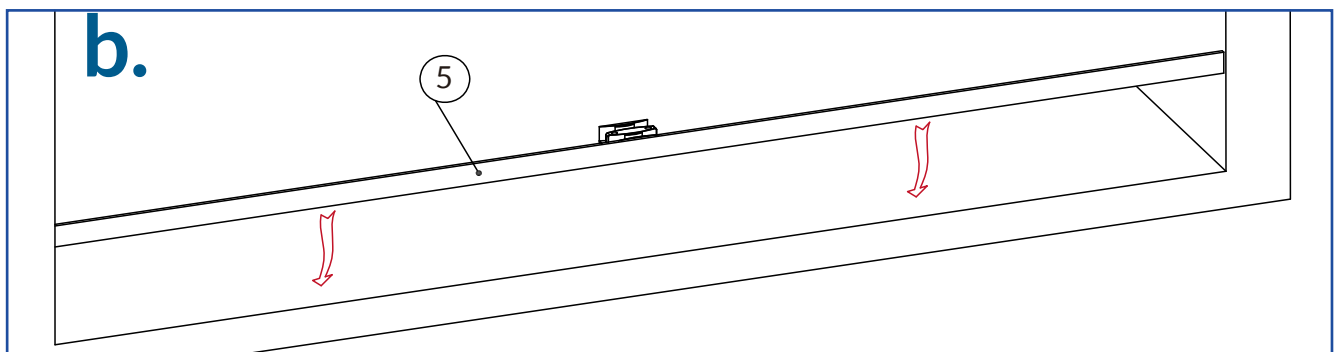
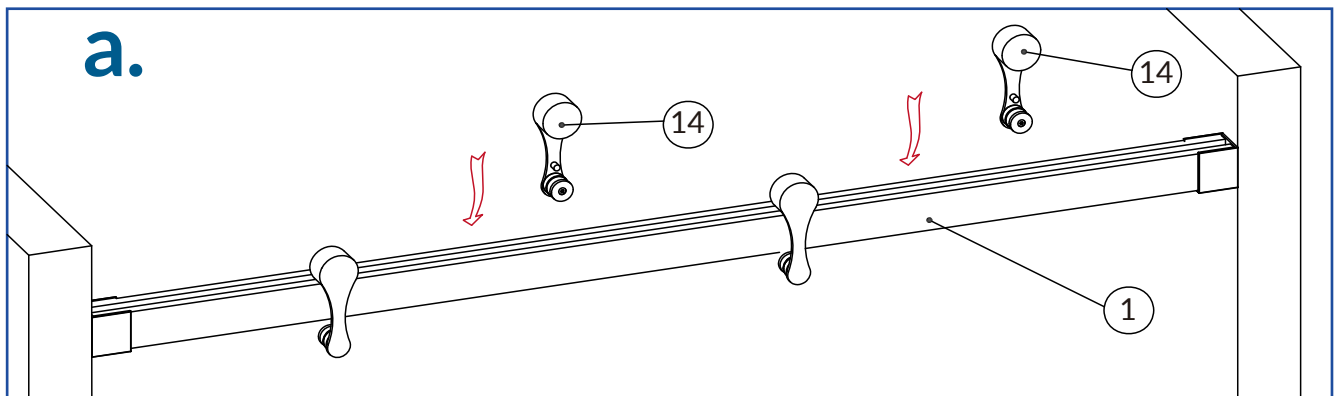
Figure 4

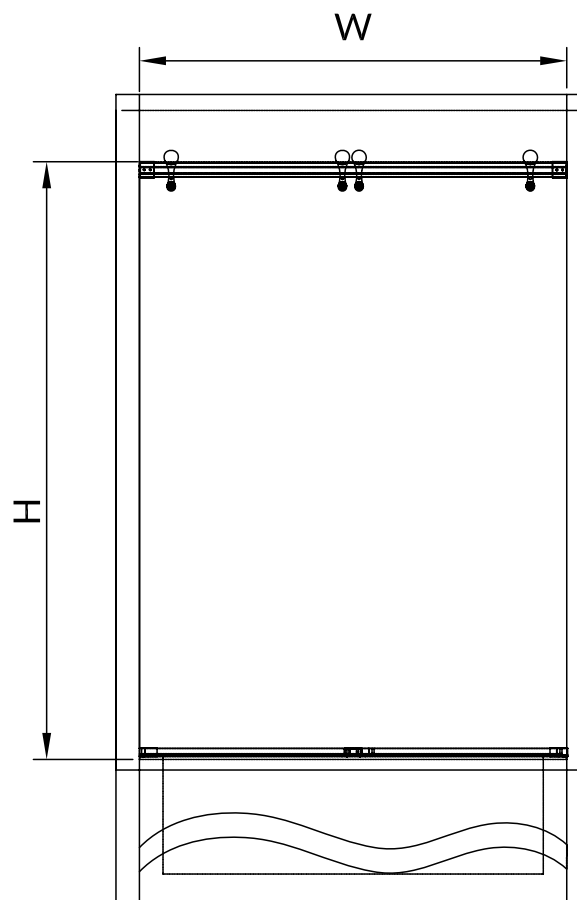
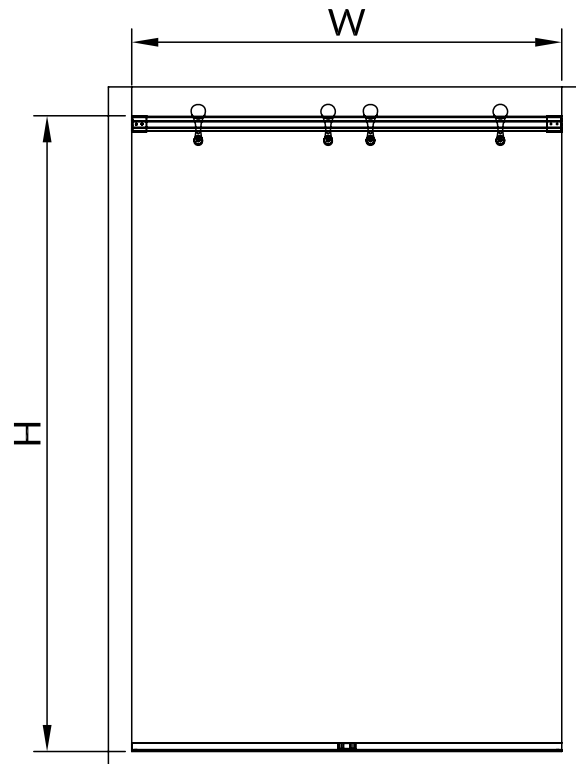
9. Place the 4 Rollers(14) onto the Top Guide Rail(1).

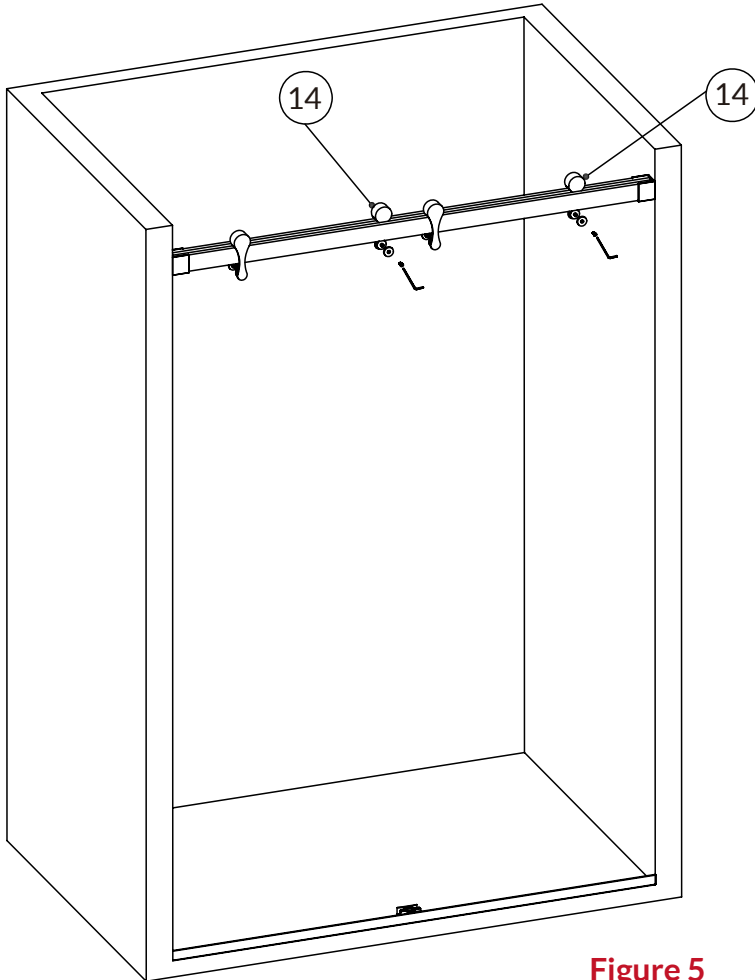
10. Put the Bottom Track(5) onto the shower tray or threshold.

Note: The Guide Block(7) has been preinstalled on the Bottom Track.

See Figure 4 for details.



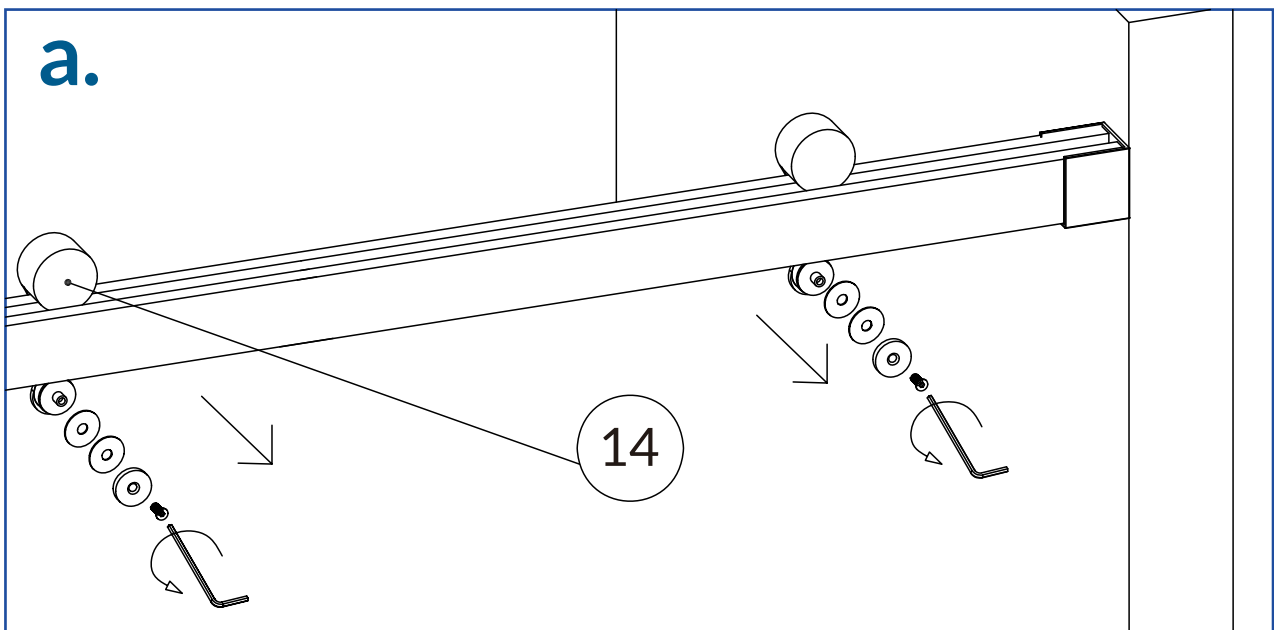




11. Use $\Phi 4$ Allen Key to loosen the Hex Screws on the Rollers(14).

See Figure 5 for details.

Figure 5



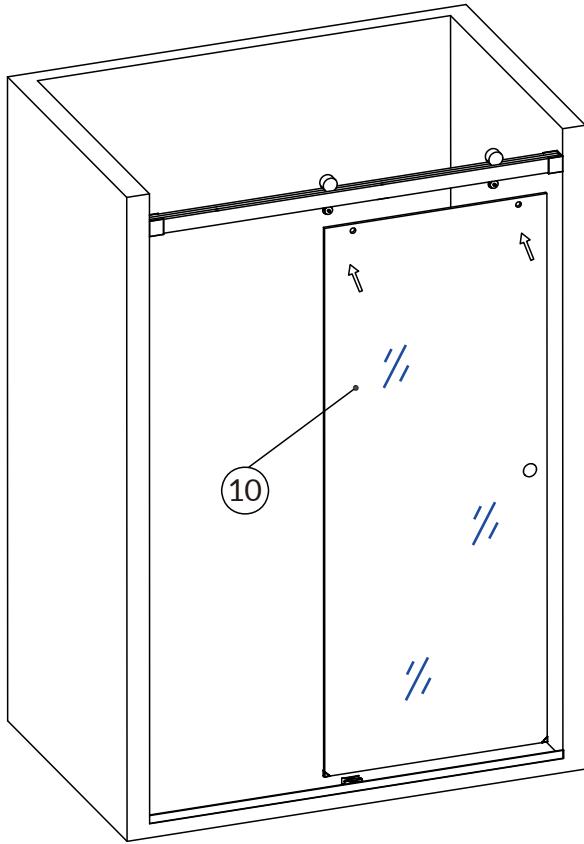


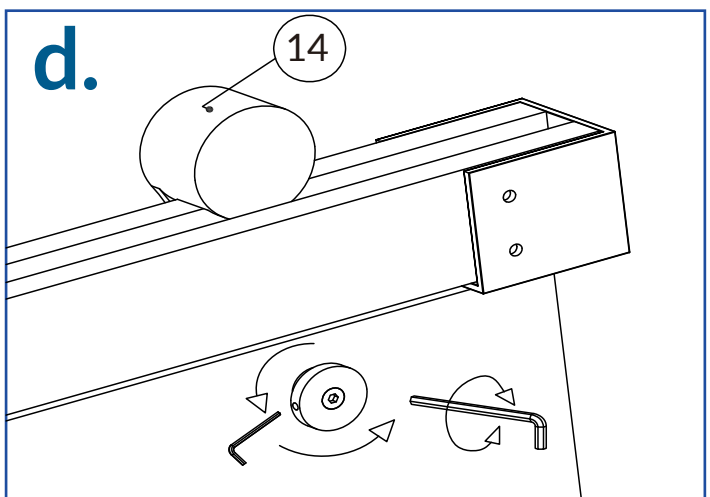
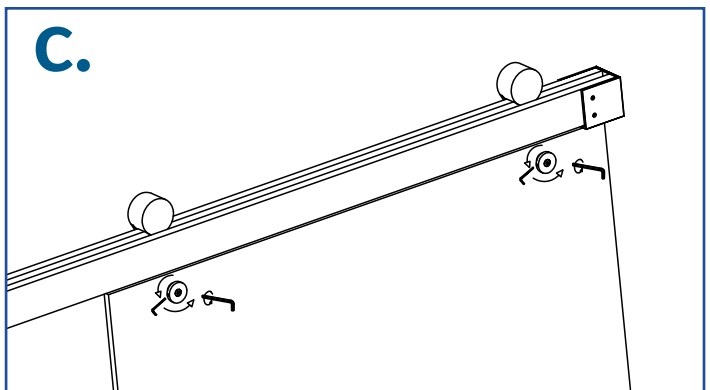
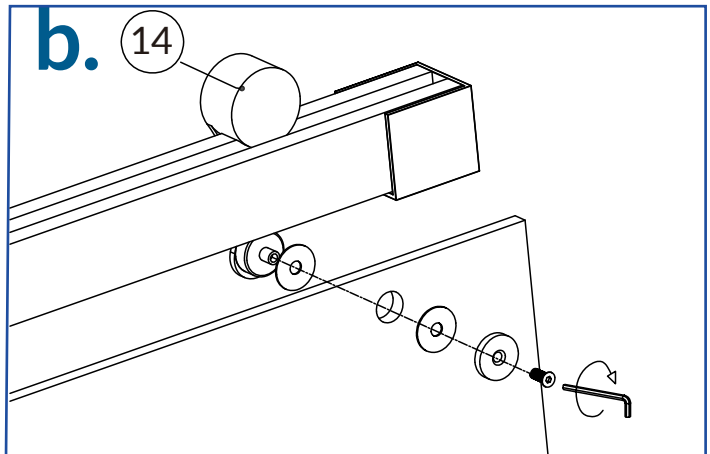
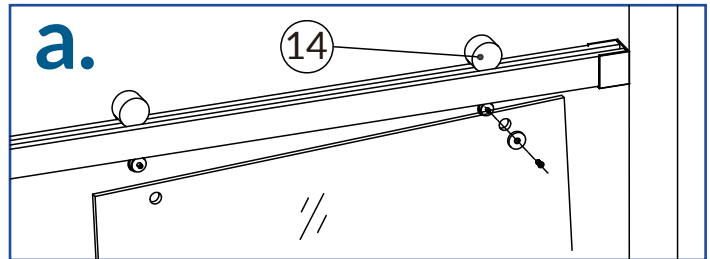
Figure 6

12. Put the Glass Door(10) into the Slot of the Guide Block(7).

Lift up one side of the Glass Door, align the hole in the glass door to the hex screw hole of the roller (14), fasten the glass with the roller with hex screw.

Install the other Glass Door in the same way.

See Figure 6 for details.



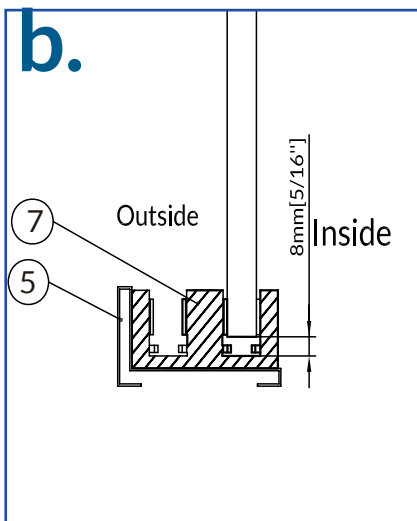
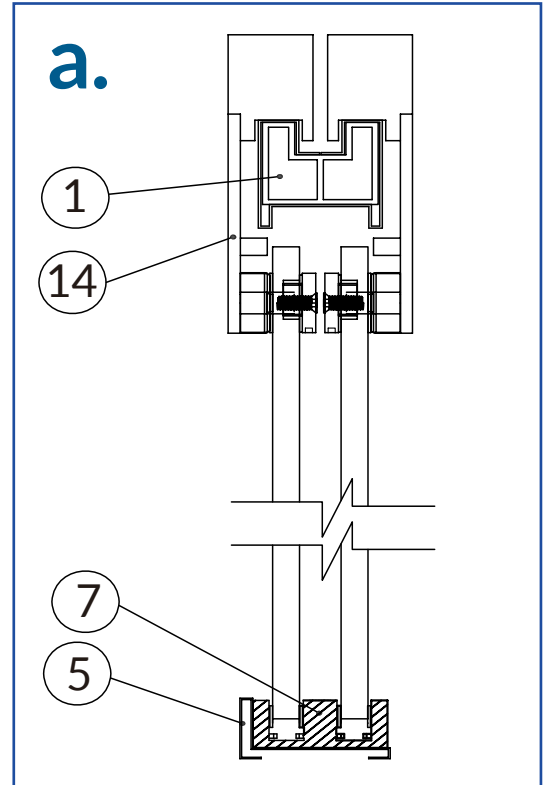
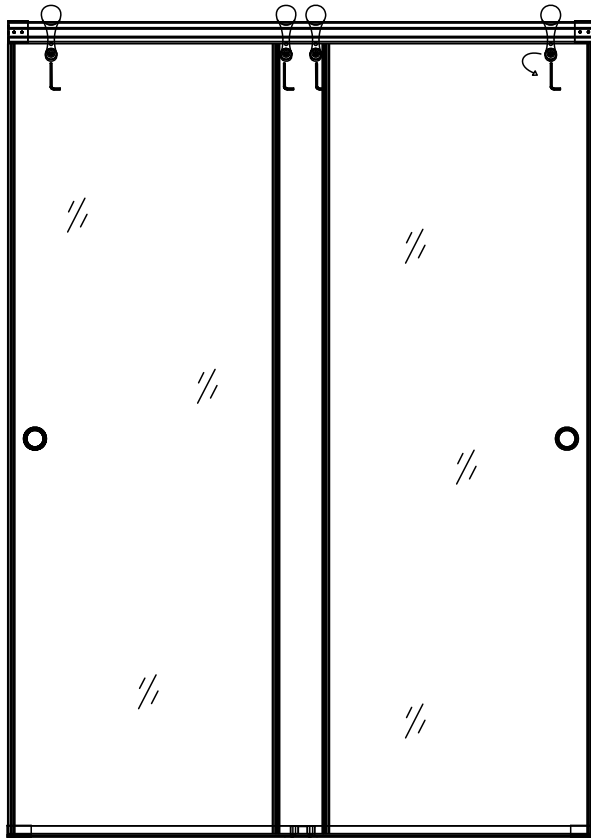
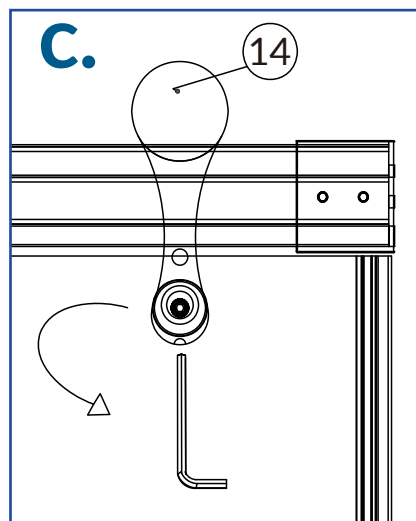
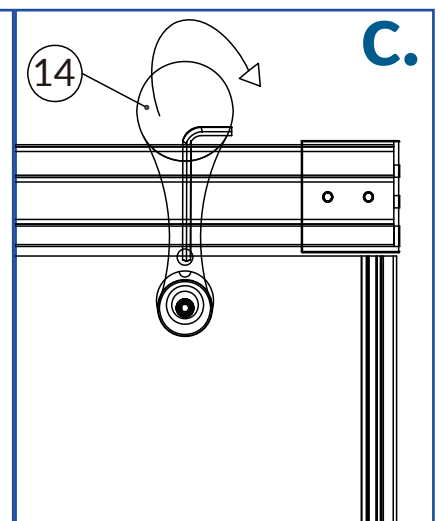


Figure 7



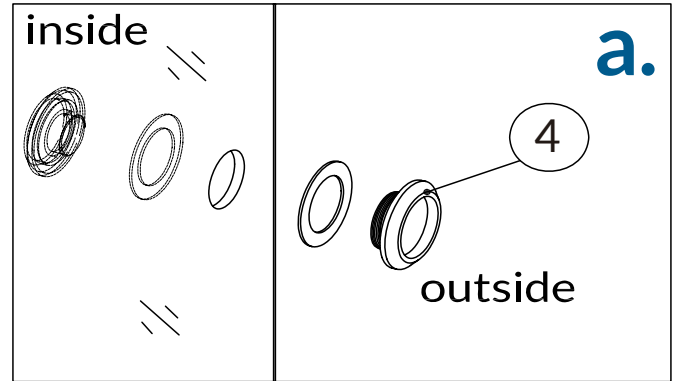
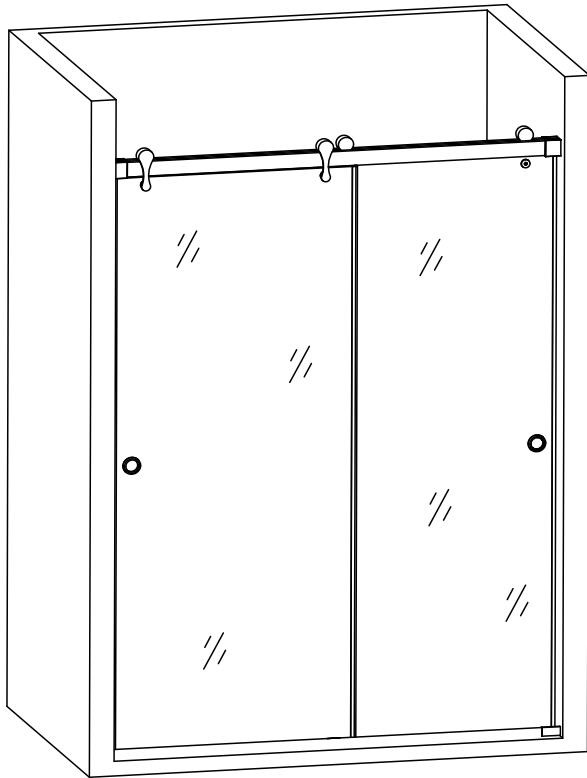
Glass Door UP
Zoom In View



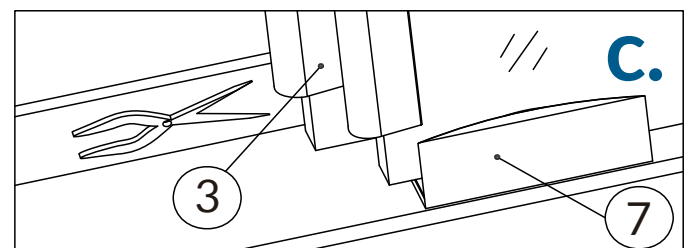
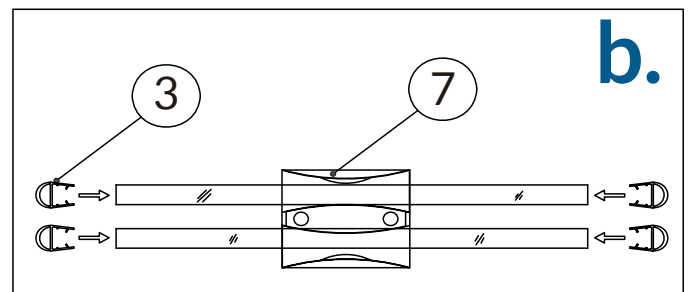
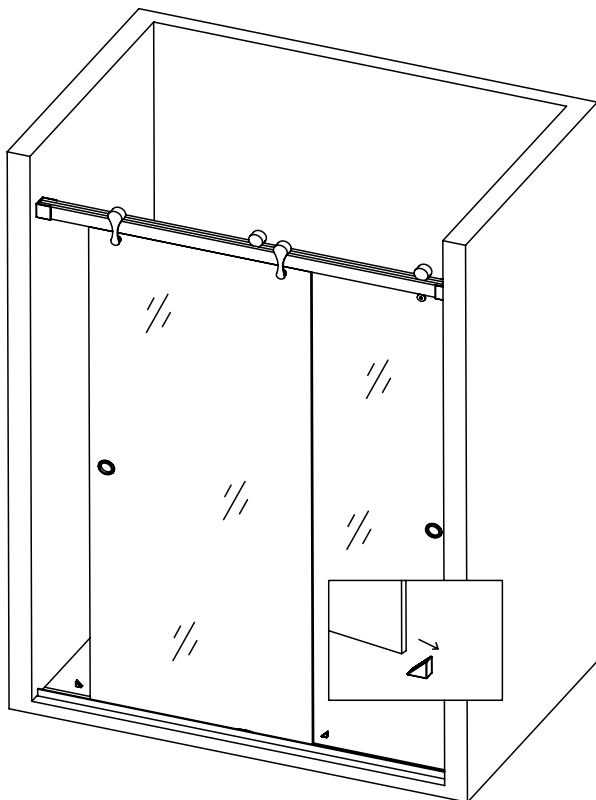
Glass Door Down
Zoom In View

13. After the two glass doors installed, use $\Phi 2.5$ Allen Key to adjust the glass to the highest point, to avoid the Glass Doors to interfere with the Guide Block.

See Figure 7 for details.



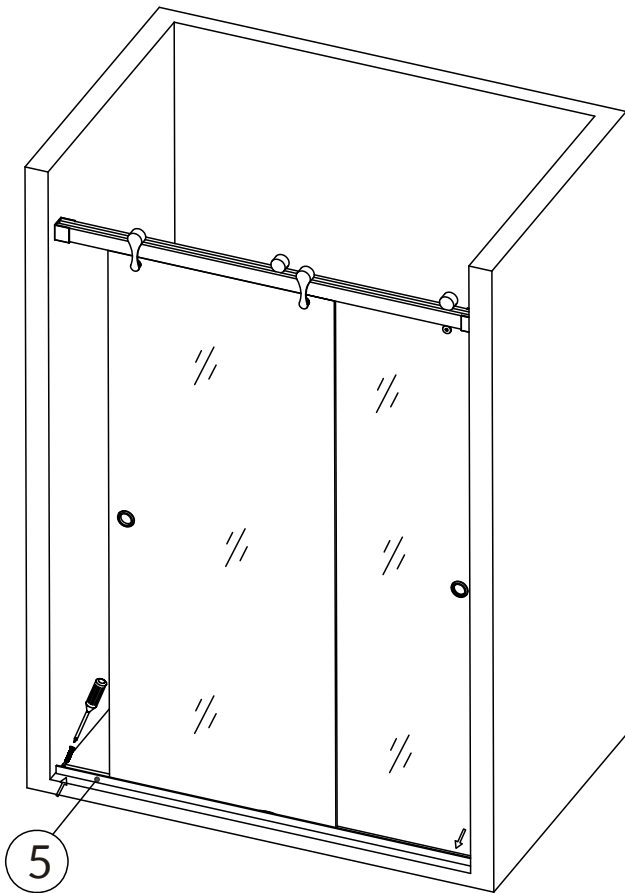
15. Install the handle(4) to the glass door.
Important: Make sure that Clear Rubber Gaskets are in between the glass door.



17. Place the 4 Bumper Strips(3) to the Glass Doors. Now take off the four black triangle glass corner covers from the Glass Door.
Make sure the strips will not interfere with the Guide Block(7), it is necessary to use scissors to cut off the part which interfere with the Guide Block.

Figure 8

See Figure 8 for details.



19. Level the bottom track(5) and adjust it if necessary. Make sure that the Glass Doors (10) have a gap 1/4" to the guide block(7) edge, only in this case, the doors will not interfere with the guide block.

Secure the Bottom Track (5) to the shower base or bathtub with M4X30 Self-Tapping Screws(8).

See Figure 9 for details.

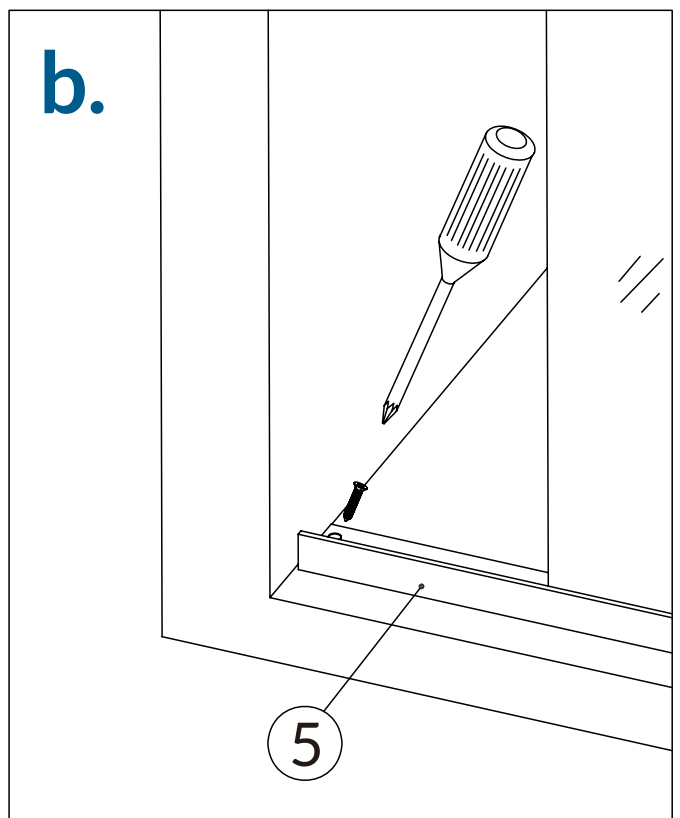
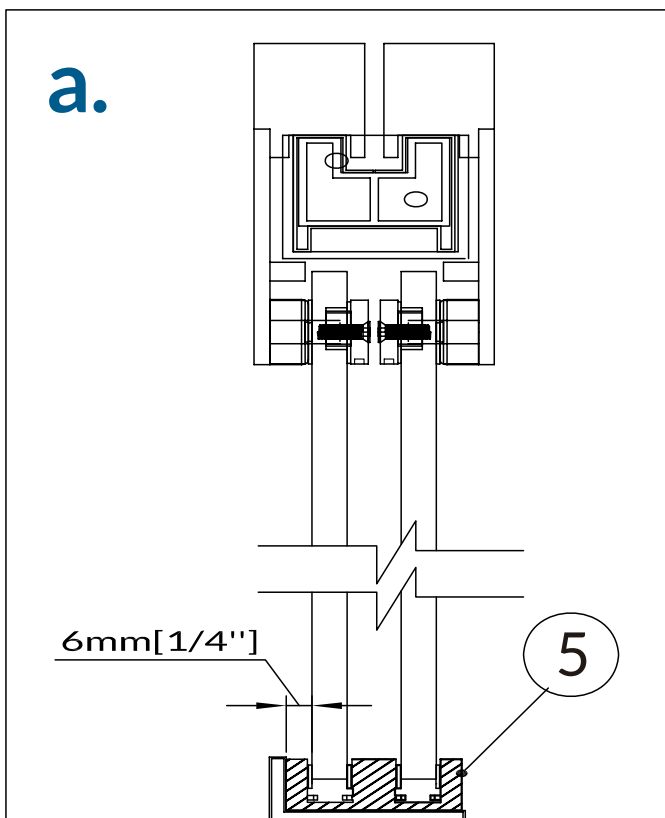


Figure 9

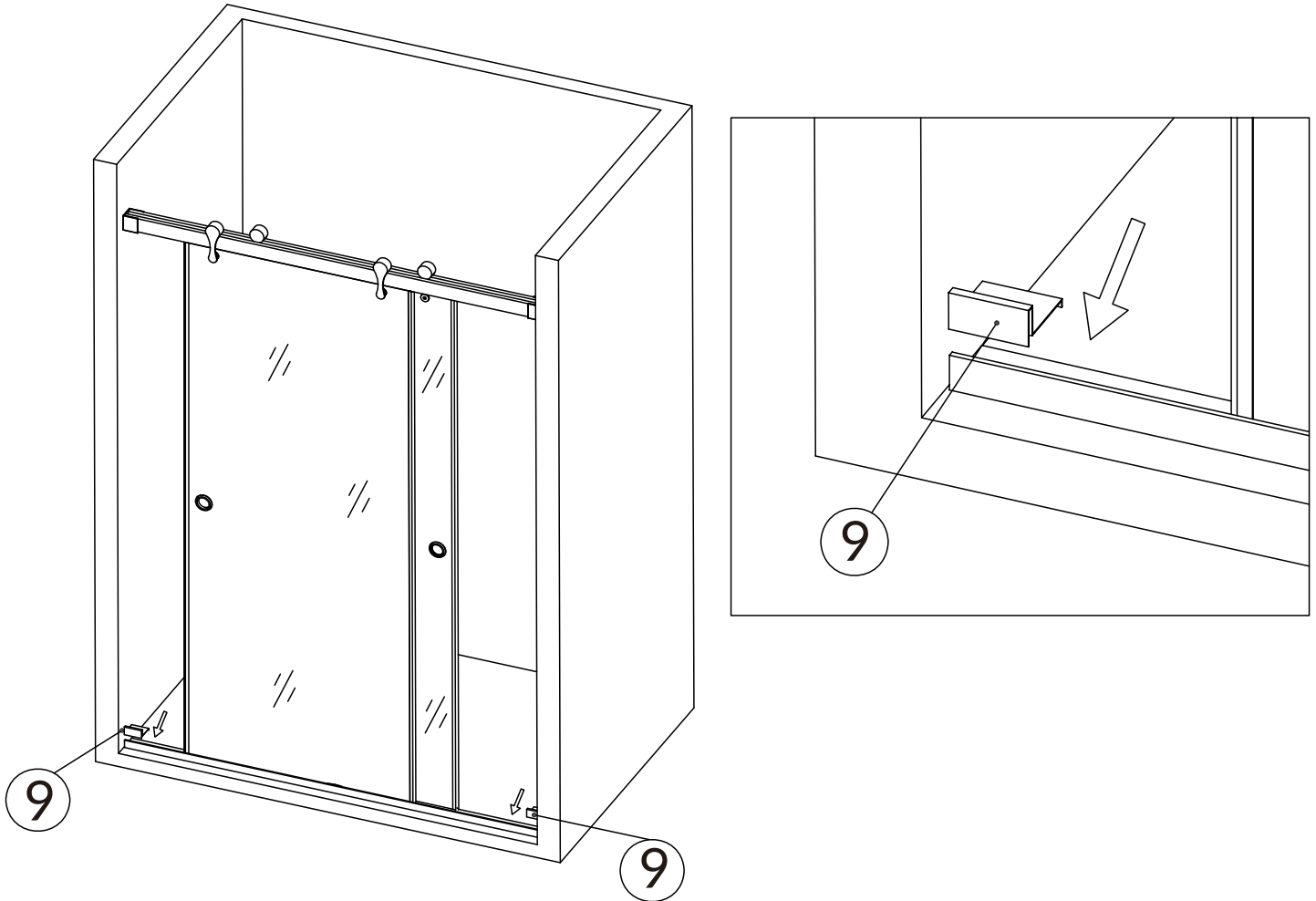
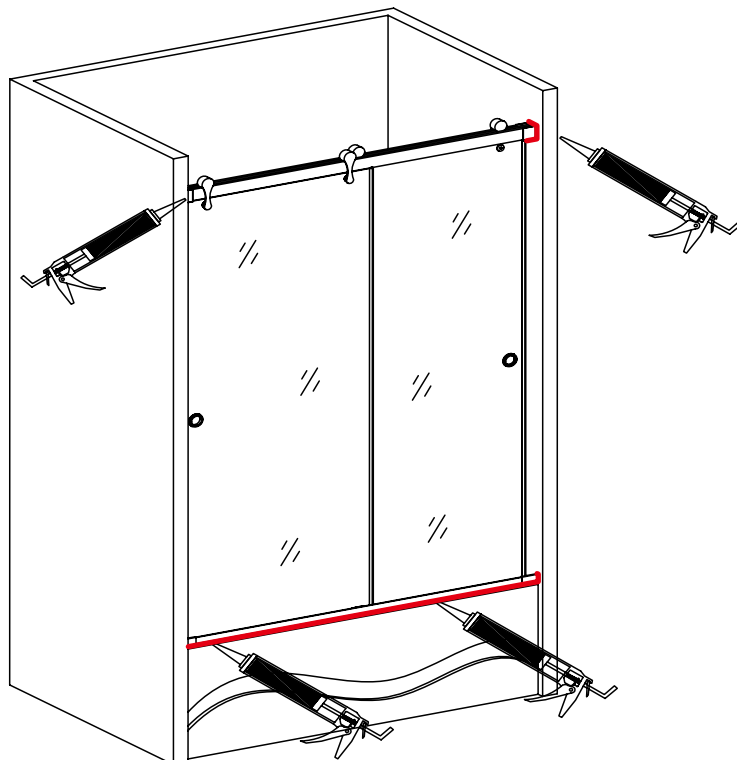
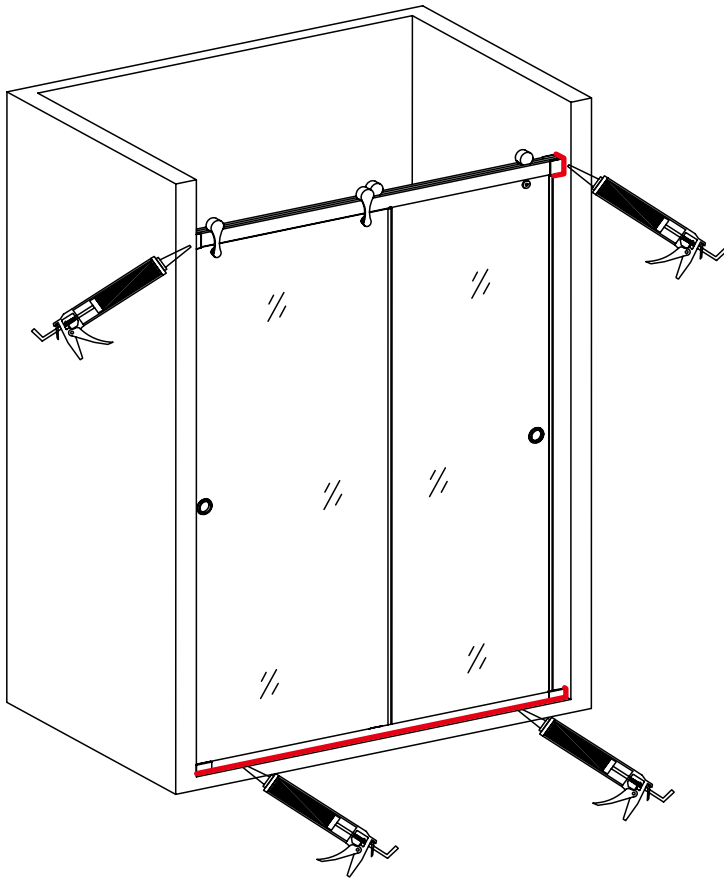


Figure 9

20. Put the Decoration Cover for Bottom Track (9) to the two ends of the Bottom Track.

See Figure 10 for details.



21. Apply clear silicone sealant between the wall and the Rail Holder and between the tray or the bathtub and the Bottom Track.

IMPORTANT: MUST ALLOW SILICONE TO DRY FOR 24 HOURS BEFORE STARTING USING THE SHOWER DOOR.

See Figure 10 for details.

Figure 10



Maintenance & Care

IMPORTANT!

DO NOT USE: Abrasive cleaners such as: acid, ammonia, bleach, and similar solutions; or any types of baking soda cleaning solutions. Use of such solutions may cause corrosion, finish peeling, and/or dull the surface.

DO NOT USE: Abrasive sponges or cloth. Never use steel, wool, or wired brushes that will permanently scratch the surface.

After installation use the shower door for approximately 2-3 weeks or 20-25 times (whichever comes first). Be sure to re-inspect all screws, make sure they are tight and tighten them if necessary. Repeat this adjustments when necessary.

When opening and closing the glass door. Be sure not to slam it. Always, open or close the glass door gently. Never slam the shower door against glass shower enclosure panel or wall. Slamming the glass door will cause immediate shattering and will cause personal injury or death.

Never leave kids unattended. Be sure to explain safety rules and train kids how to use the shower door to prevent any injuries or death. It is very important to inform all family members living with you about this safety operation instructions.

Long lasting life is guaranteed while maintaining proper care of your shower door and/or enclosure. To prevent a build-up of soap, after each use, rinse the glass and wipe it with a glass squeegee and soft cloth material. Glass parts may be cleaned with designated cleaning solutions only. All hardware parts must be cleaned with designated cleaning solutions only. Hardware parts must be cleaned at least once a week. When applying stainless steel cleaner or polish, work with grain, not against grain.



**INSTALLATION OF LESSCARE PRODUCTS BY AN
INEXPERIENCED INSTALLER MAY RESULT
PERSONAL INJURY OR DEATH!**



LessCare is not responsible for local code compliance. Building and plumbing codes may vary from state-to-state in accordance to your location. LessCare is not responsible for providing any compliance certifications.

LessCare products must be installed by a fully insured and licensed professional only. Installation of any LessCare product by anyone other than fully insured and licensed professionals shall **void limited warranty**. LessCare recommends that such licensed professionals have experience in the installation of products. This limited warranty voids on any commercial installation.

Retain these installation instructions for future reference!



Thank you for using LessCare products!