

# Newport Cabinet Construction

## Full Overlay

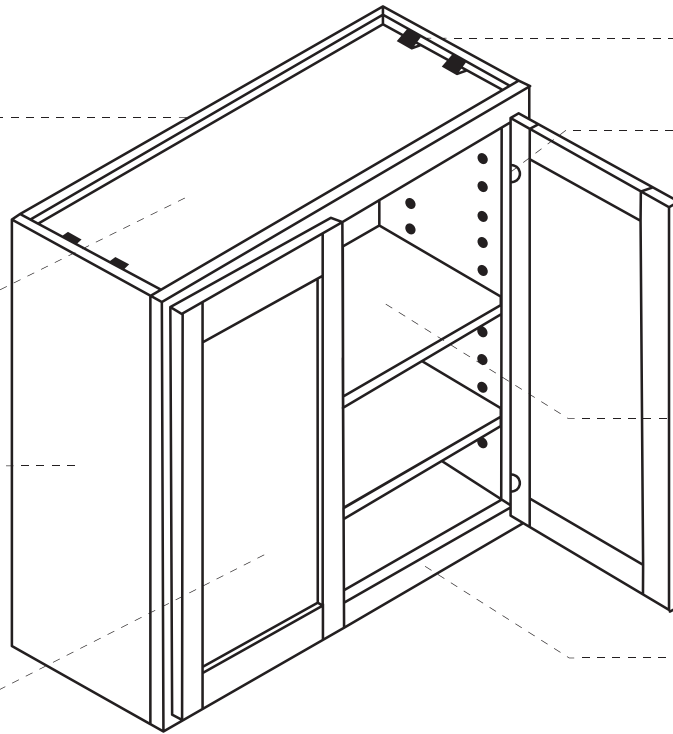
### WALL CABINETS

$\frac{5}{8}$ " Plywood Nailer

$\frac{1}{2}$ " Top and Bottom Plywood

$\frac{1}{2}$ " End Panels  
Finished Plywood

$\frac{3}{4}$ " Solid Wood  
5-Piece Frame  
Veneer Raised Panel



Camlock

Adjustable Concealed Hinges  
*Optional: Soft Close Hinges*

$\frac{3}{4}$ " Thick Plywood Shelves

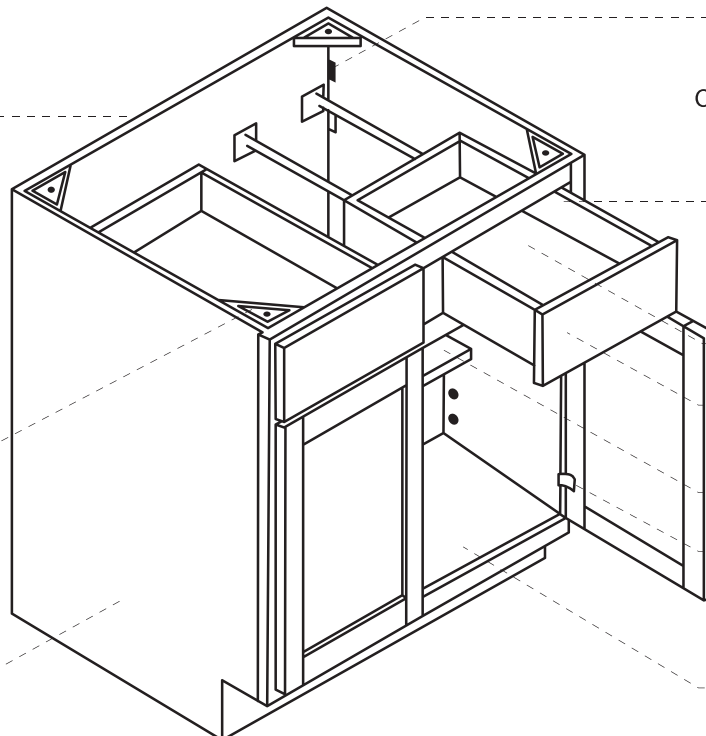
$\frac{3}{4}$ " Thick Solid Wood Frame

### BASE CABINETS

$\frac{5}{8}$ " Plywood Back Rail

Polymer Corner  
Block

$\frac{1}{2}$ " Finished Plywood  
End Panels



Camlock

*Optional:  $\frac{3}{4}$ " Solid Wood Dovetailed  
Drawers with Undermount  
Ball Bearing Full Extension  
Soft Self-Closing Glides*

$\frac{5}{8}$ " Wood Drawer Box  
 $\frac{1}{4}$ " Plywood Bottom  
with Undermount Glides

$\frac{3}{4}$ " Slab Solid Wood

Half Depth;  $\frac{3}{4}$ " Thick  
Veneer Shelves

*Optional: Soft Close Hinges*

$\frac{1}{2}$ " Bottom Plywood  
Interior Finished