

**SINK BASE**

LV4-24  
LV4-30  
LV4-36

**DRAWER BASE**

LV4-DB12

VANITY CABINET + VANITY TOP + MIRROR

**VANITY SET: LV4**

**INSTALLATION INSTRUCTIONS**

**READ ALL INSTRUCTIONS BEFORE UNPACKING THE PRODUCT****CAUTION!****TWO PERSON  
LIFT REQUIRED****2 PEOPLE ARE REQUIRED TO LIFT AND DURING  
ENTIRE INSTALLATION OF THIS PRODUCT****INSTALLATION OF LESSCARE PRODUCTS BY AN  
INEXPERIENCED INSTALLER MAY RESULT  
PERSONAL INJURY OR DEATH!****INSTRUCTIONS THAT, IF IGNORED COULD RESULT IN DEATH OR SERIOUS INJURY CAUSED BY INCORRECT HANDLING  
OR INSTALLATION OF THE PRODUCT. THESE INSTRUCTIONS MUST BE OBSERVED FOR SAFE INSTALLATION.**

LessCare reserves the right to change, update, modify, alter, redesign this manual/product or its policies without prior notice!  
It is your responsibility to visit website to download or contact customer service for the most updated version of the installation instructions.

LessCare shall not be liable for any injuries or property damages in connection with this product during installation or use of this product!

LessCare products must be installed by a fully insured and licensed plumber only. Installation of any LessCare product by anyone other than fully insured and licensed plumber shall void limited warranty. LessCare recommends that such licensed plumber have experience in the installation of products.

Limited warranty is void on any commercial installation

LessCare is not responsible for local code compliance for this product. Building and plumbing codes may vary from state-to-state in accordance to your location. LessCare is not responsible for providing any compliance certifications.

LessCare is not responsible to provide any type of certifications for this product

Under no circumstances LessCare shall not be liable for any and all incidental damages sustained in connection with this product

Neither manufacture, nor distributor, nor retailer is responsible for water damage or flood caused due to use of this product.

Under no circumstances LessCare shall not be liable for any and all fees, cost of installation/reinstallation/removal, subsequent damage or transportation in case of the product defect

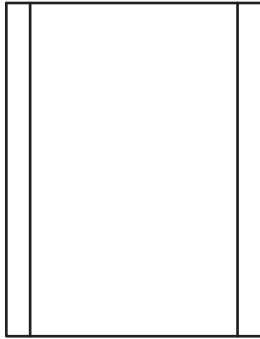
## PRODUCT CARE & MAINTENANCE

Regular and proper care of the product will help to keep its appearance like new for a long time. Follow these simple steps and rules to take care of your product.

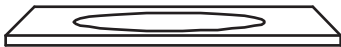
- Use only mild detergents such as soapy water to clean the surface of the product
- Absolutely avoid using cleaning products that contain bleach or ammonia
- Only use a soft cloth material to wipe a surface of the vanity cabinets.
- Never use steel, wool, or wired brushes as they will permanently scratch the surface
- Prolonged exposure of a direct sunlight may cause discoloration of the wood finish surface

PRODUCT PACKAGE COMPONENTS/TOOLS REQUIRED

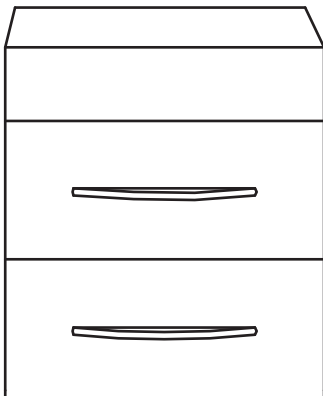
VANITY COMBINATION  
MAIN COMPONENTS



LV4-3  
Wall Mount Mirror **x 1**



LV4-2  
Glass Basin **x 1**



LV4-1  
Vanity Base Cabinet **x 1**

INSTALLATION ACCESSORIES



LV4-4  
Wall Anchors



LV4-5  
Screws 1 1/4"

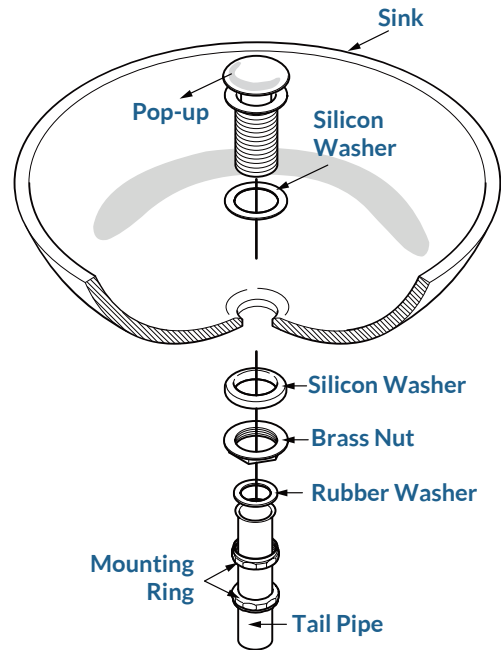


LV4-6  
Base Leg



LV4-7  
Set Screws

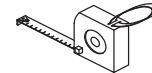
P-TRAP AND POP AND POP-UP  
INSTALLATION DIAGRAM



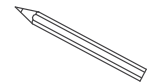
TOOLS REQUIRED FOR INSTALLATION  
(NOT INCLUDED)



Safety Glass



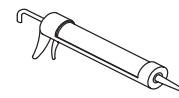
Tape Measure



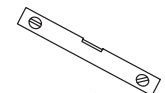
Pencil/Marker



Silicone



Caulk Gun



Level



Soft Cloth  
or Blanket



Pliers



Electric Drill  
with DrillBits



Phillips  
Screwdriver



Stud Finder

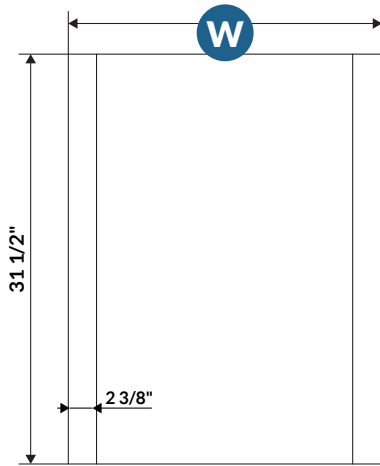


Hammer

Other tools may be required



**DIMENSIONS & SPECIFICATIONS**



**MODEL**

- LV4-24
- LV4-30
- LV4-36
- LV4-DB12

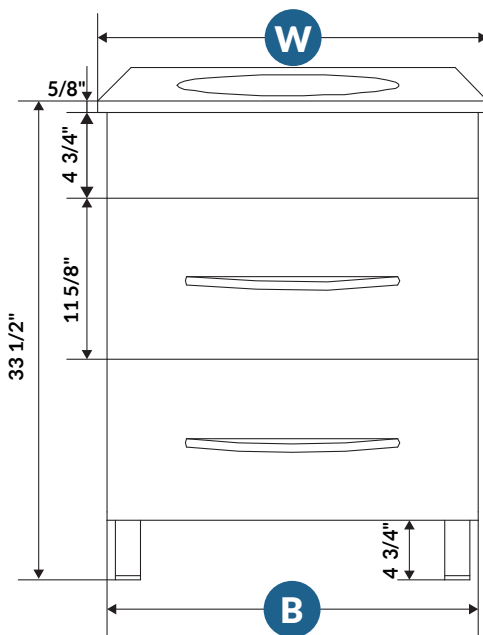


23 1/2"      22 7/8"

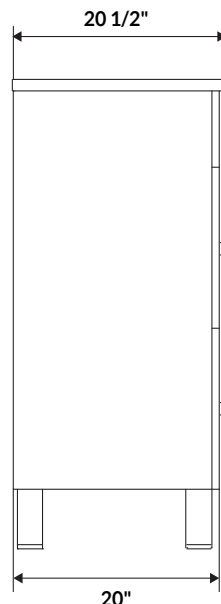
29 1/2"      28 3/4"

35 1/2"      34 5/8"

11 3/4"



Front View



Side View

**DRAWER BASE CABINET**  
For optional installation

Front View      Side View

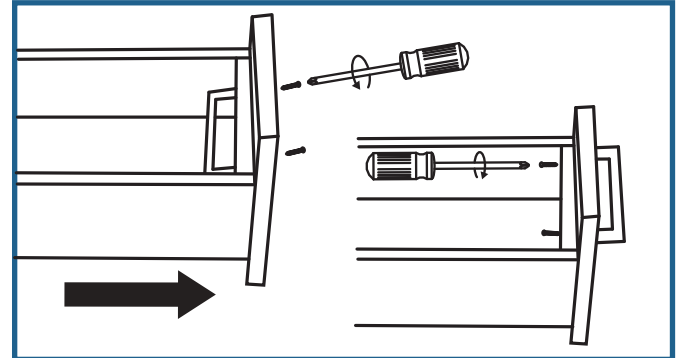
**ATTENTION!** Due to manufacturing process any dimensions may have a tolerance up to 3/8". All sizes are for reference only. It is highly recommended to pull all dimensions of actual model for installation and measuring purposes.

**ATTENTION!** If two or more vanity cabinets are installed next to each other there will be a visible seam between vanity tops and between vanity cabinets or between drawer base cabinets.

### INSTALL DOOR & DRAWER HANDLES

All LV4 vanity cabinets by LessCare® come pre-assembled. All door and drawer handles are installed from the inner side of the drawer to avoid damage during transportation. Open the drawers to install the handles. Unscrew every handle and install them from the outer side of the doors and drawers. **See Figure 1**

**Note:** It is highly recommended not to use electric drill to avoid overtightening the screws during handle installation.

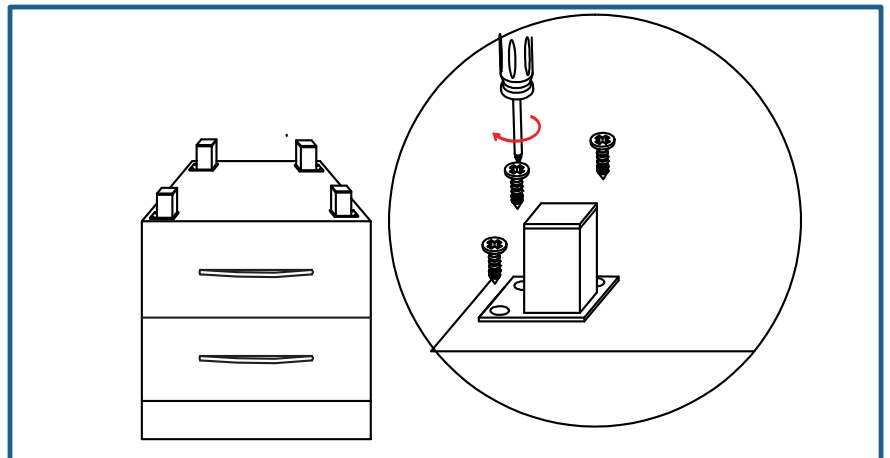


**Figure 1**

### VANITY CABINET ASSEMBLY

Attach turn the upside down  
The holes for the vanity legs were already pre-installed on the bottom of cabinet.  
Screw the leg on the bottom.

**See Figure 2**



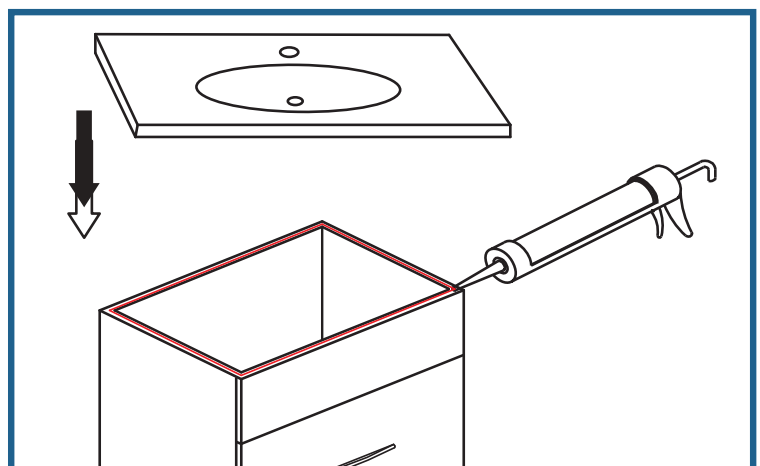
**Figure 2**

Prior to installation of the glass vanity top you must apply a silicone layer by a perimeter of the vanity base cabinet and carefully lay down the vanity top on top of the vanity cabinet.

**See Figure 3**

**Note (single vanity sink cabinet installation):** Vanity top is slightly wider than the actual cabinet. Make sure that outstanding edges are equal at left and right sides.

Apply a silicone layer on the back side of the vanity top that will be adjacent to the wall. Allow the silicone dry for 48 hours prior to the first use of the vanity cabinet.



**Figure 3**

## DRAWER BASE CABINET ASSEMBLY

All LV4 vanity cabinets by LessCare® come pre-assembled. All drawer handles are installed from the inner side of the drawer. To install the handles unscrew every handle and install them from the outer side of the doors and drawers.

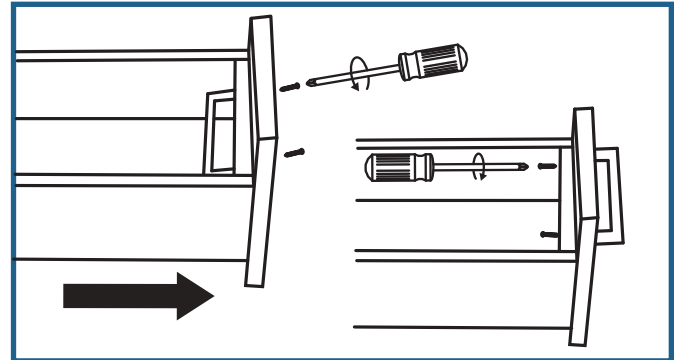
**Note:** It is highly recommended not to use electric drill to avoid overtightening the screws during handle installation.

**See Figure 4**

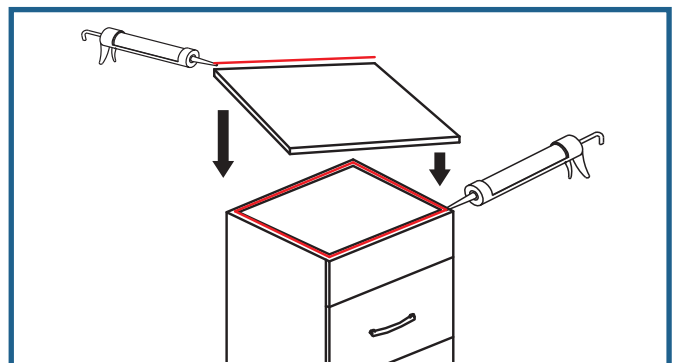
Prior to installation of the glass countertop you must apply a silicone layer by a perimeter of the vanity drawer base cabinet. Center the countertop and carefully lay it down on top of the vanity drawer base cabinet.

**See Figure 5**

**Note:** Make sure that the edges of the countertop are flush with the edges of the vanity drawer base cabinet.



**Figure 4**



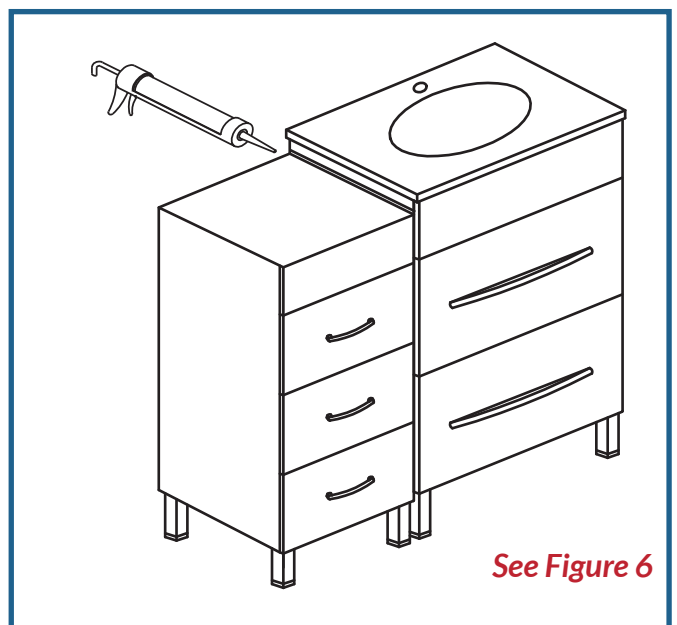
**Figure 5**

## INSTALLATION OF DRAWER BASE WITH SINK BASE CABINET

If drawer base is to be installed next to sink base you must apply a silicone layer to the countertop side adjacent to the sink base cabinet and the wall

**Note:** Allow the silicone dry for 48 hours prior to the first use of the vanity cabinet.

**See Figure 6**



**See Figure 6**

## INSTALLATION OF TWO OR MORE CABINETS OF THE SAME TYPE

**ATTENTION!** If two or more vanity cabinets are installed next to each other there will be a visible seam between vanity tops and between vanity cabinets.

If two or more of drawer base cabinets are installed next to each other a silicone layer must be applied between adjacent sides of the cabinets' countertops.

**Example:** Two drawer base vanity cabinets are installed next to each other. A silicone must be applied on one inner side of one of the cabinet's countertop before connecting them together.

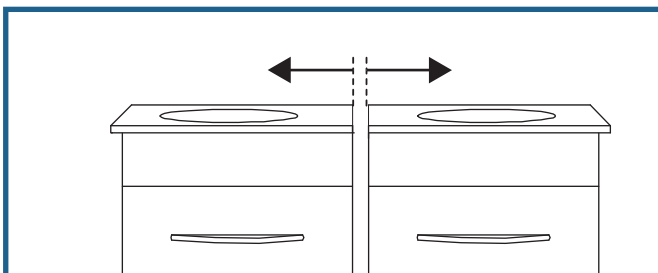
**See Figure 7**

If two or more of sink base cabinets are installed next to each other a silicone layer must be applied between adjacent sides of the cabinets' vanity tops.

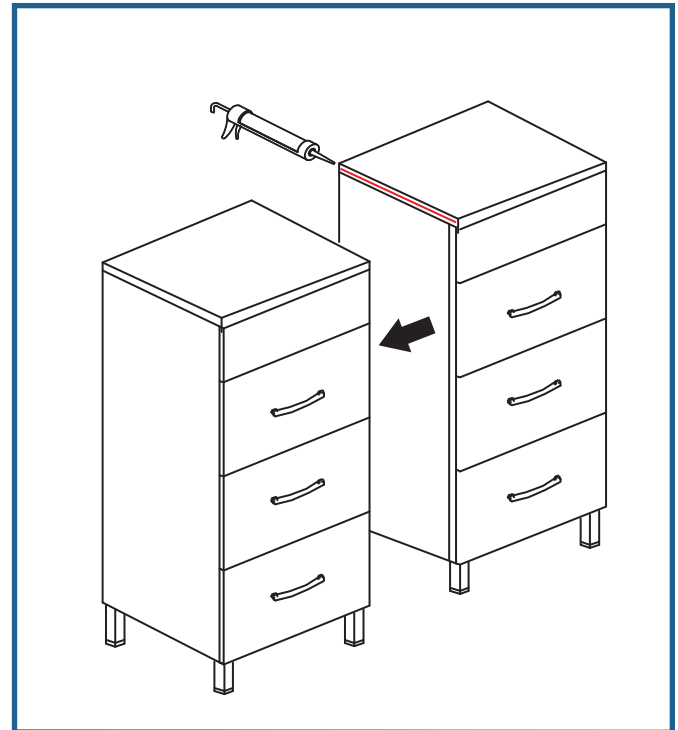
**Example:** Two sink base vanity cabinets are installed next to each other. A silicone must be applied on one inner side of one of the cabinet's vanity tops before connecting them together.

**See Figure 8**

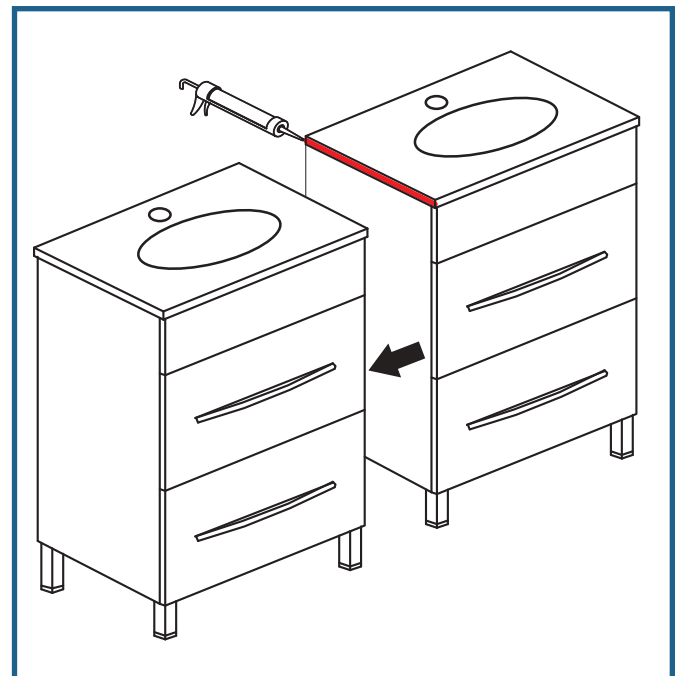
**Important (double vanity sink cabinet installation):** When two sink base cabinets are installed next to each other, each of the vanity tops must be pulled towards the opposite, from center, side and aligned with the side of the cabinets so there will be no gap between cabinets after installation. Install both vanity cabinets side-by-side and make sure that the inner sides are flush to each other. **See Figure 9**



**Figure 9**



**Figure 7**



**Figure 8**

## MIRROR INSTALLATION

Using a tape measure find a length of the vanity top and divide it by 2. The result of the division will be a center of the top. Using a tape measure find the center of the top and mark a dot on the wall just right above the top using a pencil. Using a level tool find a location of a second dot to draw a vertical line that will serve as installation center for the mirror.

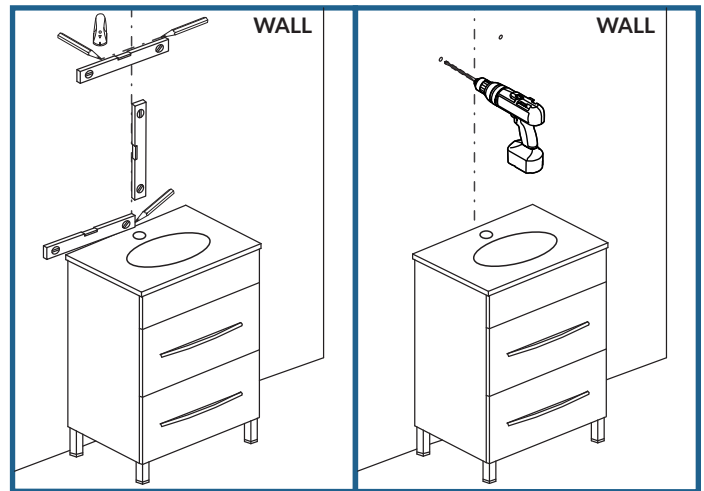
Measure the distance between installation brackets of the mirror and divide it by 2. The result of the division will be a distance between the drawn center line and center of a drilled holes. Mark a center of the first hole and using a level find and mark a location for a second hole. Using an electric drill make the holes.

**See Figure 10**

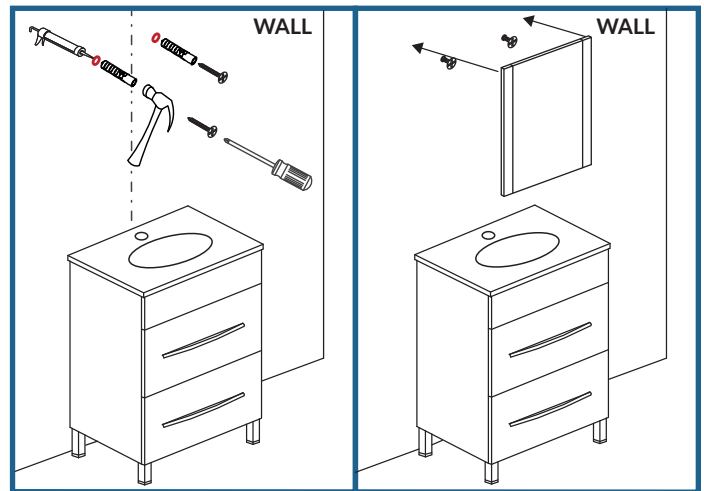
Apply a silicone inside each hole. Insert wall anchors (a hammer may be needed if the holes are too tight.) Using a Philips Screwdriver insert the mounting screws into the wall anchors (do not screw in completely as the brackets of the mirror must hang on top of the screws.) Align the mirror with the wall and carefully hang the mirror on the screws. Both screw heads must be inserted into the brackets on the mirror during hanging process. Make sure that the mirror is secured safely on the wall. **See Figure 11**

**Note:** If the brackets can not reach the screws or the mirror is loose after hanging you need to adjust the screws using the Philips Screwdriver.

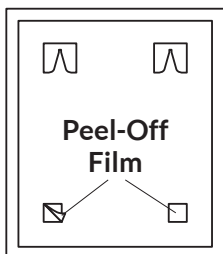
**IMPORTANT!** Using a stud finder locate wooden studs. Screws for mounting mirror must be installed in the wooden studs to support weight of the mirror.



**Figure 10**



**Figure 11**



**Mirror Back View**

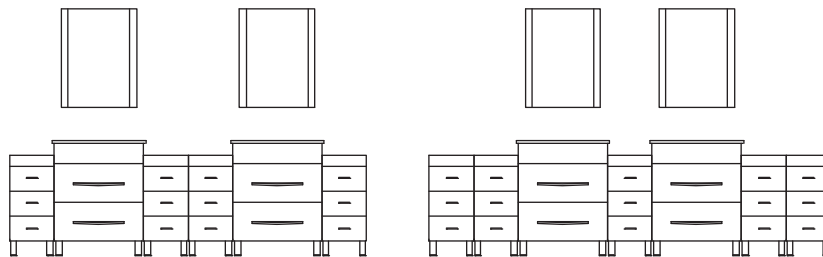
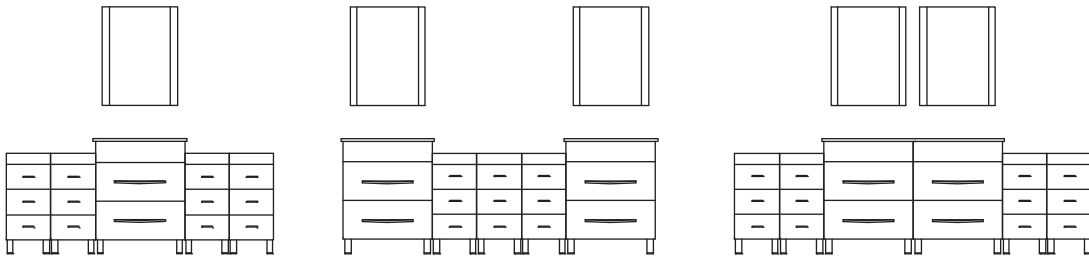
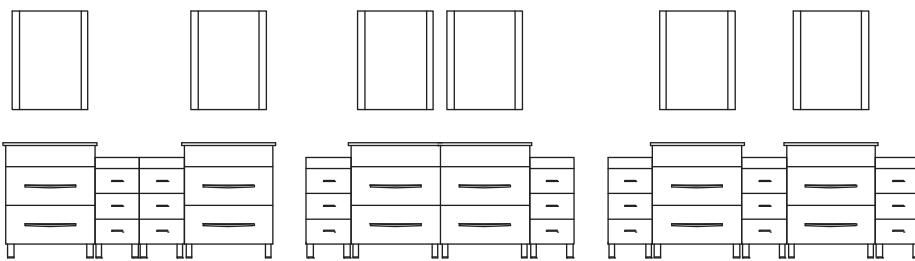
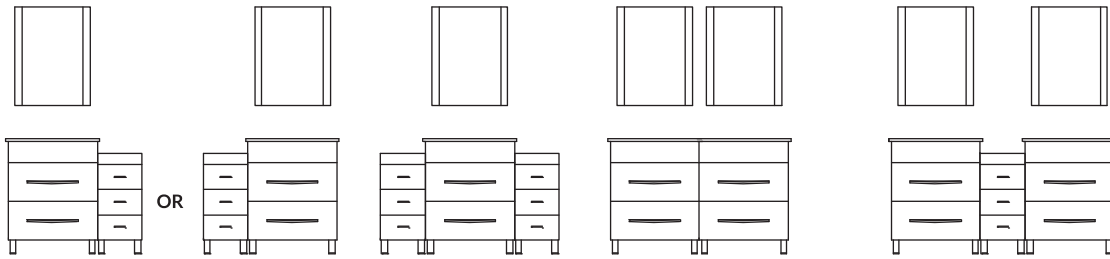
**IMPORTANT:**

At the bottom of the back side of the mirror there are two foam blocks with adhesive surface covered by a film. Remove the film before hanging the mirror. These blocks will stick to the wall for extra support, leveling, and preventing from moving.

CHECK OUT NEXT PAGE WITH VARIETY OF COMBINATIONS EXAMPLES



EXAMPLES OF COMBINATION INSTALLATION  
FO REFERENCE ONLY





VANITY CABINET + VANITY TOP + MIRROR

VANITY SET: **LV4**

Retain these installation instructions  
for future reference!



Thank you for using  
LessCare products!

LessCare reserves the right to modify this installation instructions at any time.  
It is a customer's sole responsibility to inquiry for the updates of the installation instructions.

[www.lesscare.com](http://www.lesscare.com)