



FREESTANDING BATHTUB

Model: **LTF1**



FREESTANDING BATHTUB

Model: **LTF2**



FREESTANDING BATHTUB

Model: **LTF3**



FREESTANDING BATHTUB

Model: **LTF4**



FREESTANDING BATHTUB

Model: **LTF5**



FREESTANDING BATHTUB

Model: **LTF6**

INSTALLATION INSTRUCTIONS

**READ ALL INSTRUCTIONS BEFORE UNPACKING THE PRODUCT****CAUTION!****TWO PERSON
LIFT REQUIRED****2 PEOPLE ARE REQUIRED TO LIFT AND DURING
ENTIRE INSTALLATION OF THIS PRODUCT****INSTALLATION OF LESSCARE PRODUCTS BY AN
INEXPERIENCED INSTALLER MAY RESULT
IN PERSONAL INJURY OR DEATH!****INSTRUCTIONS THAT, IF IGNORED COULD RESULT IN DEATH OR SERIOUS INJURY CAUSED BY INCORRECT HANDLING
OR INSTALLATION OF THE PRODUCT. THESE INSTRUCTIONS MUST BE OBSERVED FOR SAFE INSTALLATION.**

LessCare reserves the right to change, update, modify, alter, redesign this manual/product or its policies without prior notice!
It is your responsibility to visit website to download or contact customer service for the most updated version of the installation instructions.

LessCare shall not be liable for any injuries or property damages in connection with this product during installation or use of this product!

LessCare products must be installed by a fully insured and licensed plumber only. Installation of any LessCare product by anyone other than fully insured and licensed plumber shall void limited warranty. LessCare recommends that such licensed plumber have experience in the installation of products.

LIMITED WARRANTY IS VOID ON ANY COMMERCIAL INSTALLATION

LessCare is not responsible for local code compliance for this product. Building and plumbing codes may vary from state-to-state in accordance to your location. LessCare is not responsible for providing any compliance certifications.

LessCare is not responsible to provide any type of certifications for this product

Under no circumstances LessCare shall be liable for any and all incidental damages sustained in connection with this product

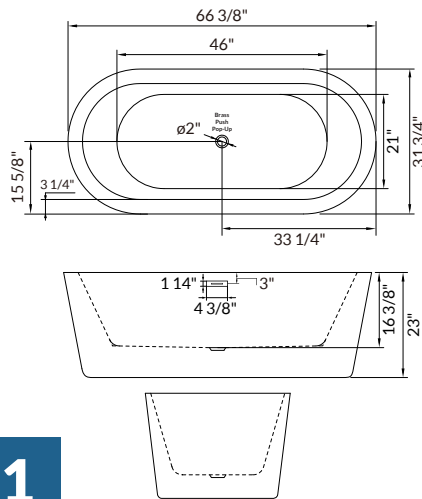
Neither manufacture, nor distributor, nor retailer is responsible for water damage or flood caused due to use of this product.

Under no circumstances LessCare shall be liable for any and all fees, cost of installation/reinstallation/removal, subsequent damage or transportation in case of the product defect

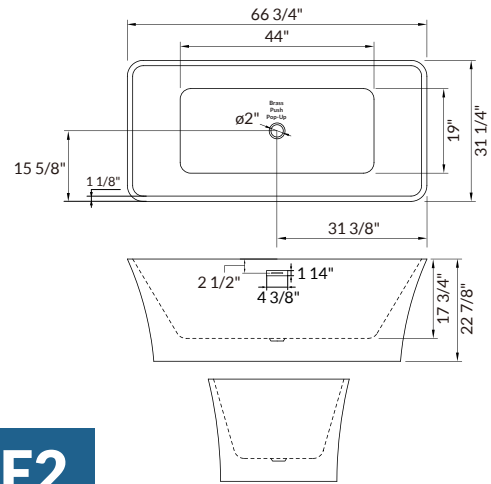
IMPORTANT SAFETY RULES**ATTENTION! ALWAYS FOLLOW THESE PRECAUTIONS WHEN USING A BATHTUB**

- ⚠ Warning** The bathtub must be installed and used as described in this manual
- ⚠ Warning** Use caution when entering or exiting the bathtub
- ⚠ Warning** Do not permit children or persons with infirmities to use the bathtub without supervision of an adult
- ⚠ Warning** People using any medications or having adverse medical history must consult a physician prior to use of the bathtub to avoid potential hyperthermia and possible drowning
- ⚠ Warning** Water temperature over 100°F may cause hyperthermia and/or other health problems. Check water temperature and adjust it for your personal comfort
- ⚠ Warning** Never use bathtub while intoxicated, after taking meals or any alcoholic beverages. Consuming alcoholic beverages before or during bathing will cause drowsiness and may result in hyperthermia, loss of consciousness, or even drowning
- ⚠ Warning** If you are pregnant or you feel that you are may be pregnant, consult your doctor before using the bathtub
- ⚠ Warning** Never use any electrical devices such as hair dryer, lamp, telephone, tv, radio, or others within 5 feet of the bathtub
- ⚠ Warning** Do not overfill the bathtub before entering. Entering the bathtub when filled will cause overflow and slippery conditions. Use extreme caution when entering and exiting

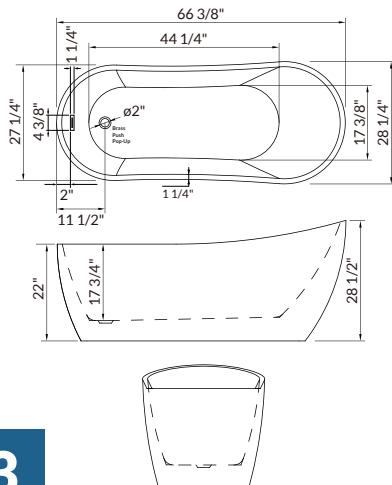
DIMENSIONS/TECHNICAL DATA



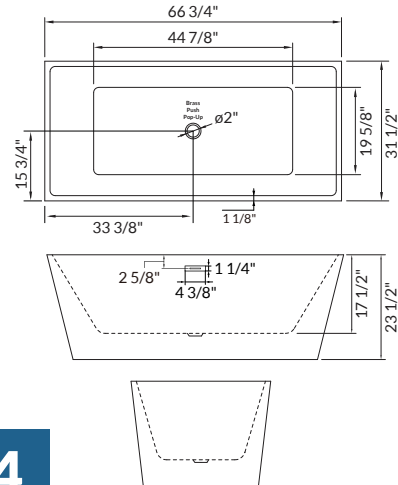
LTF1



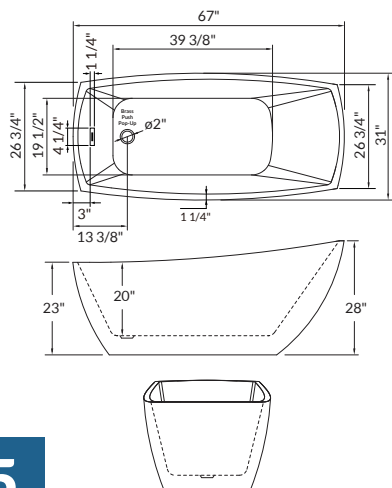
LTF2



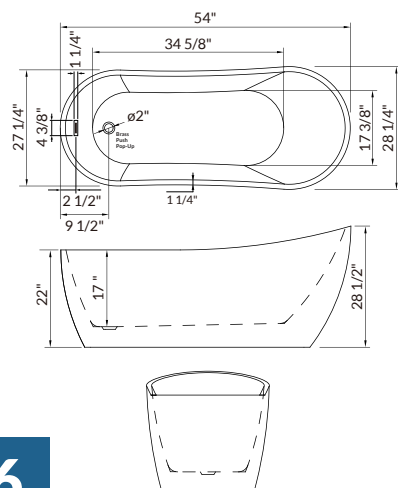
LTF3



LTF4



LTF5



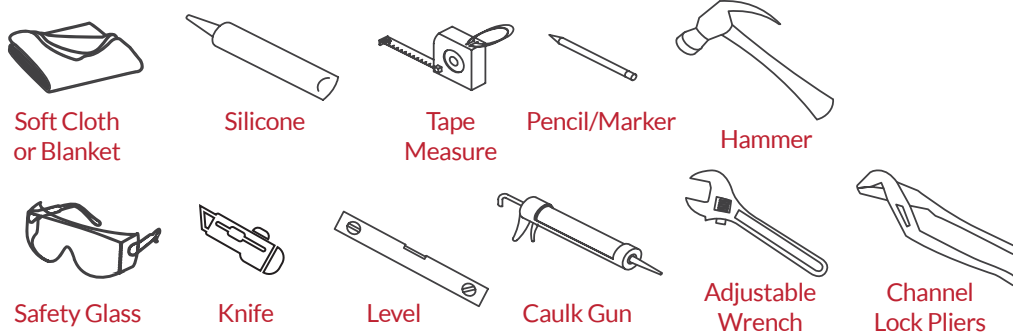
LTF6

ATTENTION! Dimensions may vary by up to 3/8". It is highly recommended to pull all dimensions of actual model for installation and measuring purposes.

ATTENTION! Each bathtub is custom made and may have a tolerance in dimensions for the same models.

TOOLS REQUIRED FOR INSTALLATION (NOT INCLUDED)

OTHER TOOLS MAY BE REQUIRED



Inspect the bathtub for any damages. If any damage is found please contact your retailer.

Carefully, remove the tub from it's crate/box.

Important Note: Bathtub must be carried by a minimum of 2 adult people in upside down position only. Do not carry the bathtub by its panel.

To avoid scratches or damages to the bathtub be sure to set it on cardboard with soft blanket on top of the cardboard.

Set your bathtub on two 4x4 pieces of lumber so you can have access from the bottom of the bathtub. Put a tray beneath the bathtub.

Very Important! Before proceeding with installation, please check that push pop-up, drain, and integrated overflow are properly sealed and tightened.

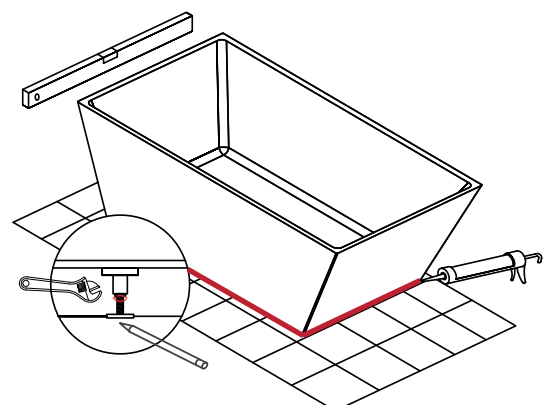
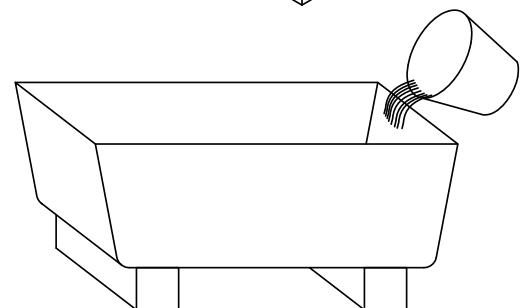
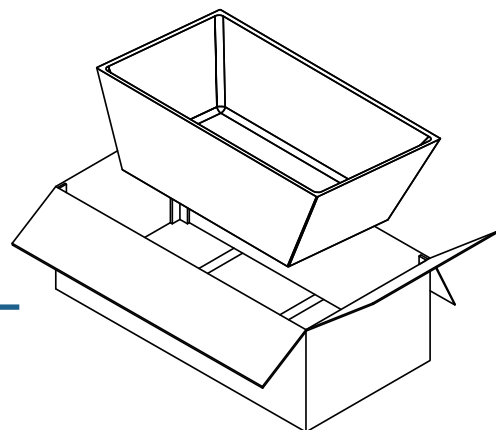
Push the pop-up into a close position and fill the bathtub with cold water above the overflow level to test for overflow leakage and drain leakage.

If a leakage occurs please disassemble the drain line or overflow assemblies and you can apply a plumbing putty/silicone caulk to fix the leakage.

Once the leakage test was performed you may proceed to the installation.

Make sure that floor is even and leveled at the installation area.

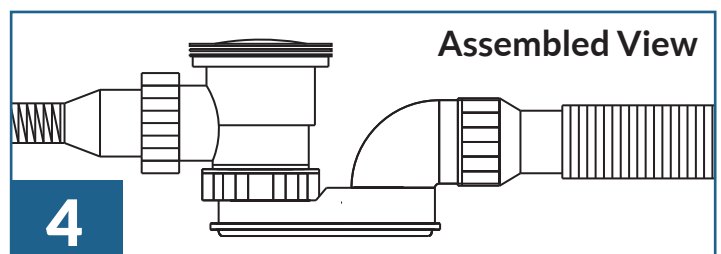
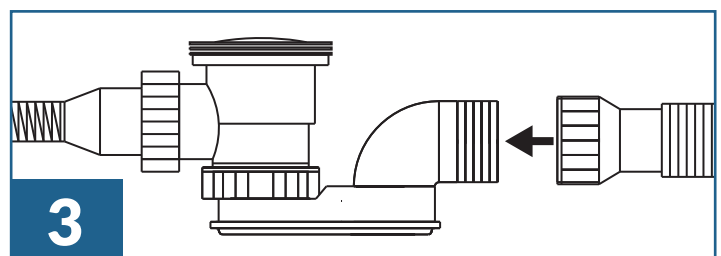
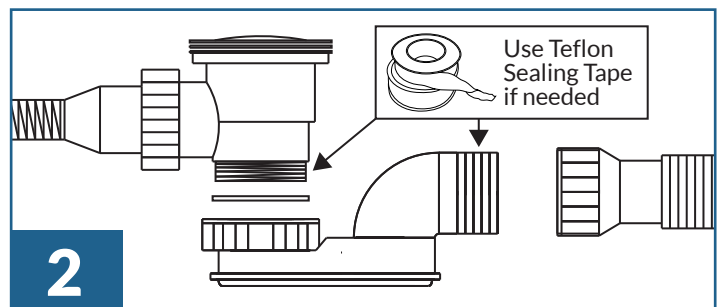
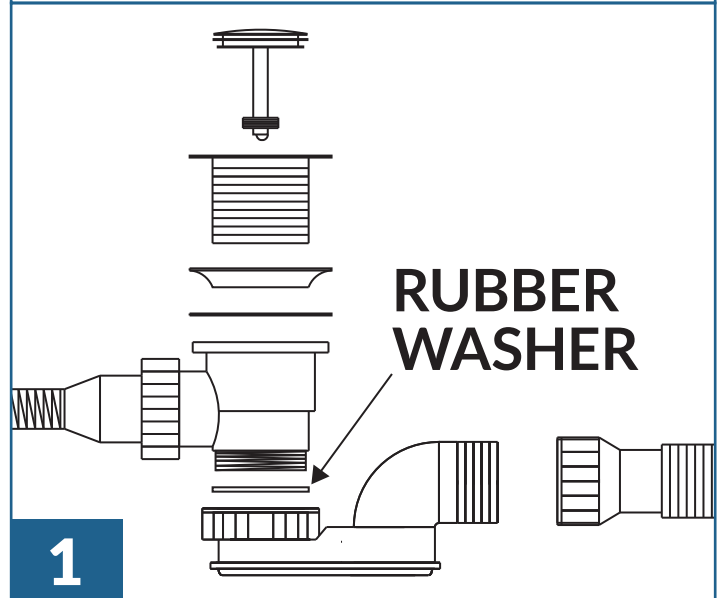
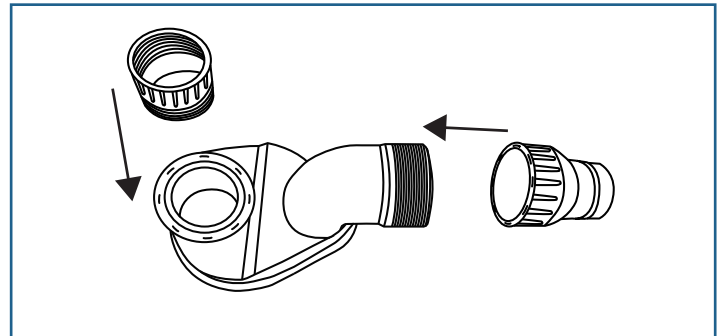
Set your bathtub in a location where you are installing it. Adjust leveling legs using a nut to level the bathtub so the water will drain properly. Using a pencil, mark all positions of leveling legs.



DIMENSIONS/TECHNICAL DATA

BATHTUB INSTALLATION

Take the bathtub out of the installation position. Assemble your drain system. It is important to put rubber washer as on the diagram. Put the bathtub's drain line in the existing drain and put the bathtub's leveling legs in the marked positions. Apply waterproof silicone to the bathtub's leveling legs to secure the bathtub on the floor. Once the legs are installed. Apply waterproof silicone around the bathtub bottom perimeter. Allow silicone to dry for 24-48 hours before start using it.



Gallons to Overflow

53 gal. LTF1	77 gal. LTF2	67 gal. LTF3
77 gal. LTF4	64 gal. LTF5	52 gal. LTF6

• Capacity of every bathtub may have a tolerance of 0.5 gallons (+/-)
• This information is for reference only and may not be completely accurate.



ONE PIECE TOILET
Series: **LTF**

MAINTENANANCE & CARE

MAINTENANCE & CARE

Use soft sponges or soft-cloths to clean the surface. Always rinse thoroughly any cleaning solutions immediately after cleaning. Do not any chemical remain on the surface for extended periods of time.

IMPORTANT!

DO NOT USE: Abrasive cleaners such as: acid, ammonia, bleach, and simmlar solutions. Use of such solutions may cause corrosion, finish peeling, and/or dull the surface.

DO NOT USE: Abrasive sponges or cloth. Never use steel, wool, or wired brushes that will permanently scratch the surface.

Retain these installation instructions for future reference!

Thank you for using LessCare products!

