



SHOWER PANEL SYSTEM

LSP2-B

INSTALLATION INSTRUCTIONS

WHAT'S IN THE BOX / REQUIRED TOOLS

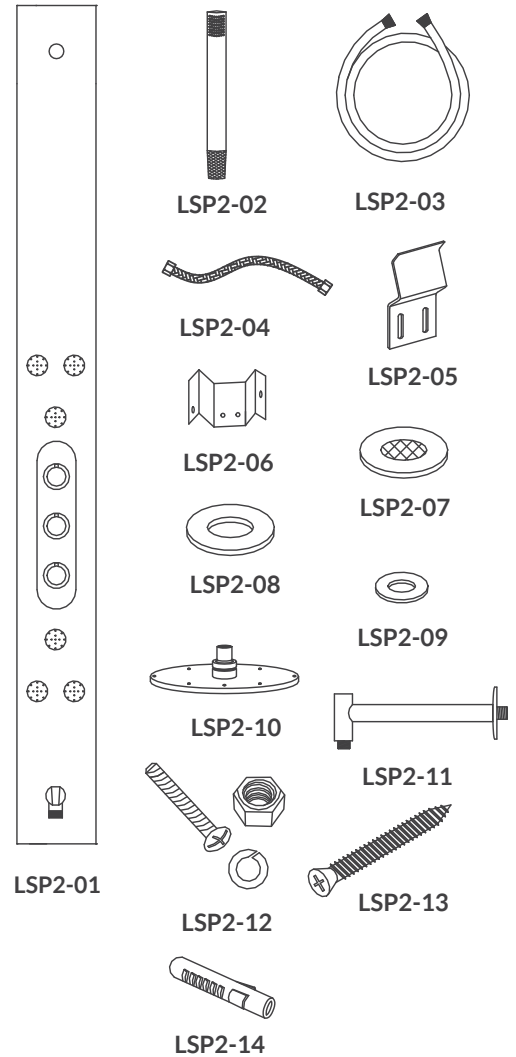
NOTE! Shower panel system can be used for wall or corner installation

PACKING LIST

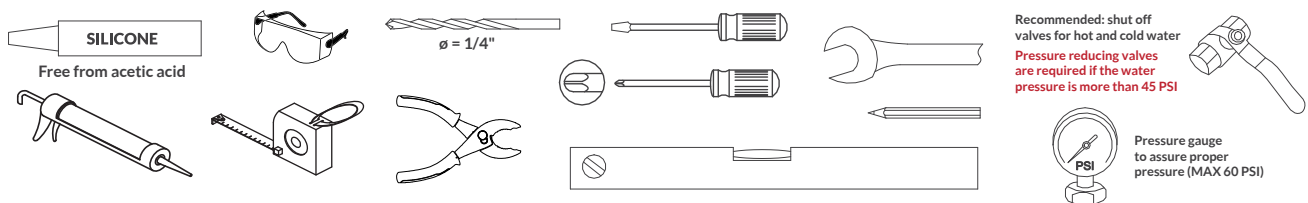
| Part Number | Quantity | Description |
|-------------|----------|-----------------------------------------------------------------------------------|
| LSP2-01 | 1 | Panel Housing |
| LSP2-02 | 1 | Hand shower |
| LSP2-03 | 1 | Hand shower hose |
| LSP2-04 | 2 | Flexible hoses 16" long with 1/2" female connection for hot and cold water supply |
| LSP2-05 | 3 | Wall mounting bracket |
| LSP2-06 | 2 | Corner mounting bracket |
| LSP2-07 | 2 | White screen |
| LSP2-08 | 2 | White washers |
| LSP2-09 | 6 | Metal washers |
| LSP2-10 | 1 | Head shower |
| LSP2-11 | 1 | Shower arm |
| LSP2-12 | 4 | Corner mount bracket screws, nuts, washers |
| LSP2-13 | 6 | Wall mount screws |
| LSP2-14 | 6 | Wall Mount Washers |

MISCELLANEOUS PARTS

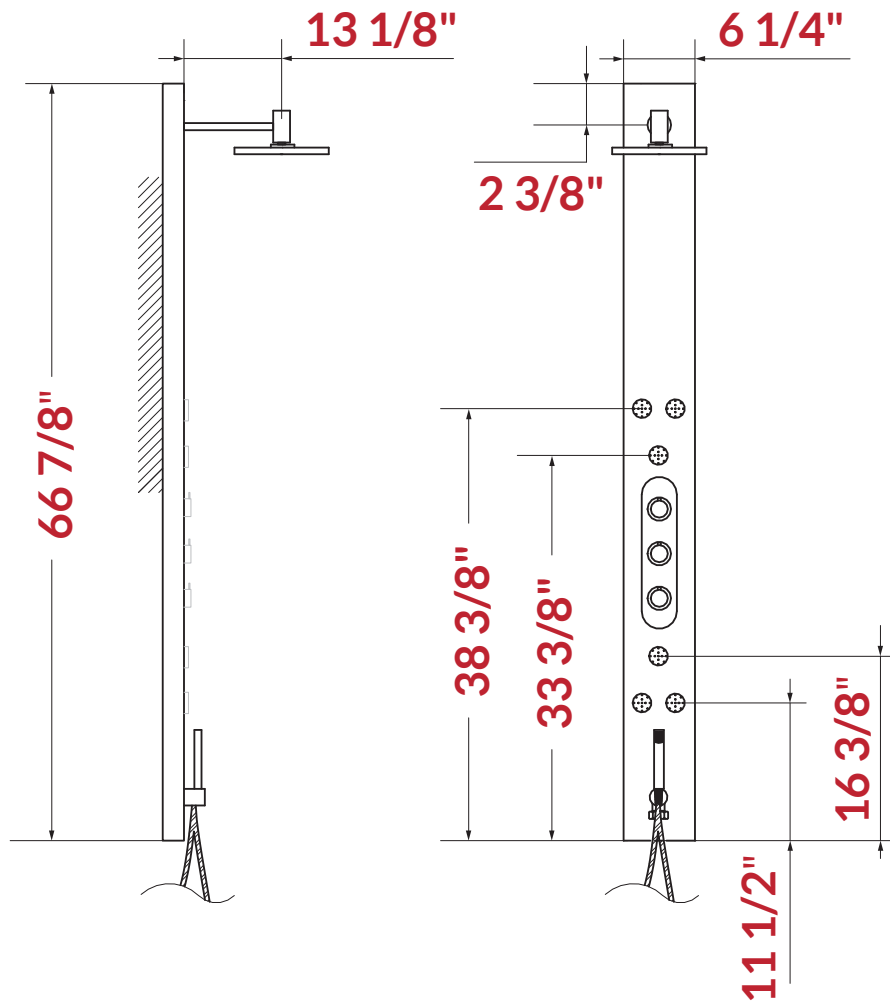
| Part Number | Description |
|-------------|-----------------------------|
| LSP2-21 | Thermostatic cartridge |
| LSP2-22 | Volume control handle |
| LSP2-23 | Thermostatic control handle |
| LSP2-24 | Volume handle button |
| LSP2-25 | Thermostatic handle button |
| LSP2-26 | Volume cartridge |
| LSP2-27 | Tub filler |
| LSP2-28 | Tub filler cap |
| LSP2-29 | Valve body |
| LSP2-30 | Body jets |



TOOLS REQUIRED FOR INSTALLATION (NOT INCLUDED)



Note: Other tools may be required

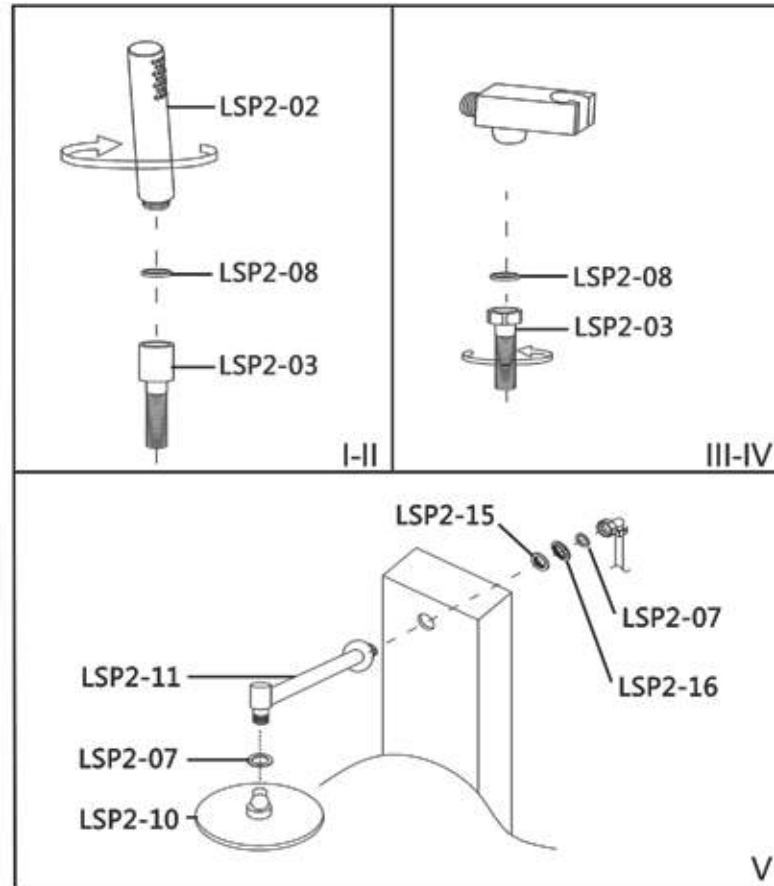
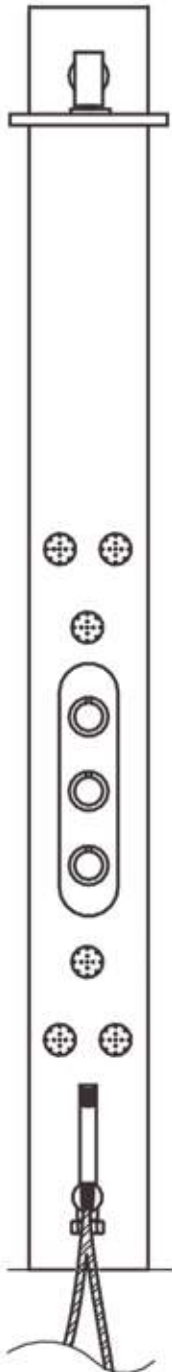


ATTENTION! Dimensions may vary by up to 3/8". It is highly recommended to pull all dimensions of actual model for installation and measuring purposes.

ATTENTION! The measurements in inches are rounded to the nearest 1/8"

TECHNICAL DATA

- Minimum flow pressure is 30 PSI
- Maximum operating pressure us 60 PSI
- Maximum hot water temperature: 158°F
- Safety stop: 100°F
- Run all your water pressure to one of functions



I. Put white washer(LSP2-08) between the handshower(LSP2-02) and hand shower hose(LSP2-03).

II. Connect the handshower(LSP2-02) to the hand shower hose (LSP2-03).

III. put the white washer(LSP2-08) between the handshower holder and hand shower hose(LSP2-03).

IV. Connect the hand shower hose(LSP2-03) to the handshower holder.

V. Connect the water hose to the shower arm(LSP2-11) with one BLACK washer(LSP2-15), one Yellow screw cap (LSP-16) and one white screen(LSP2-07). Put one white screen(LSP2-07) to the screw-in connector of shower head, Then connect the shower head (LSP2-10) to the shower arm(LSP2-11).

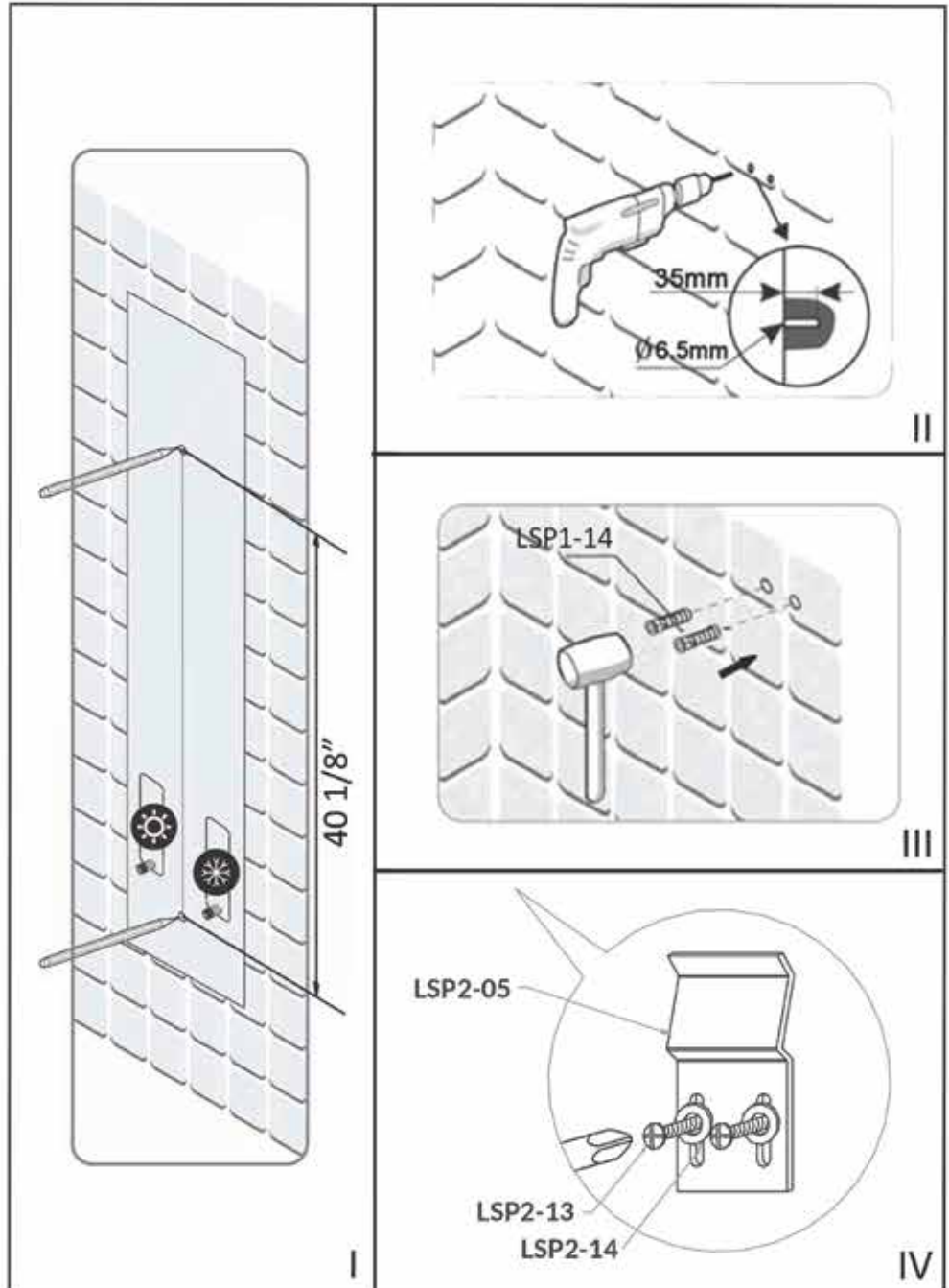
WALL INSTALLATION (PART 1)

I. Use a pencil to mark drill holes on wall. Keep a distance between the top centre holes of the position and wall mounting brackets(LSP2-05) of 40 1/8".

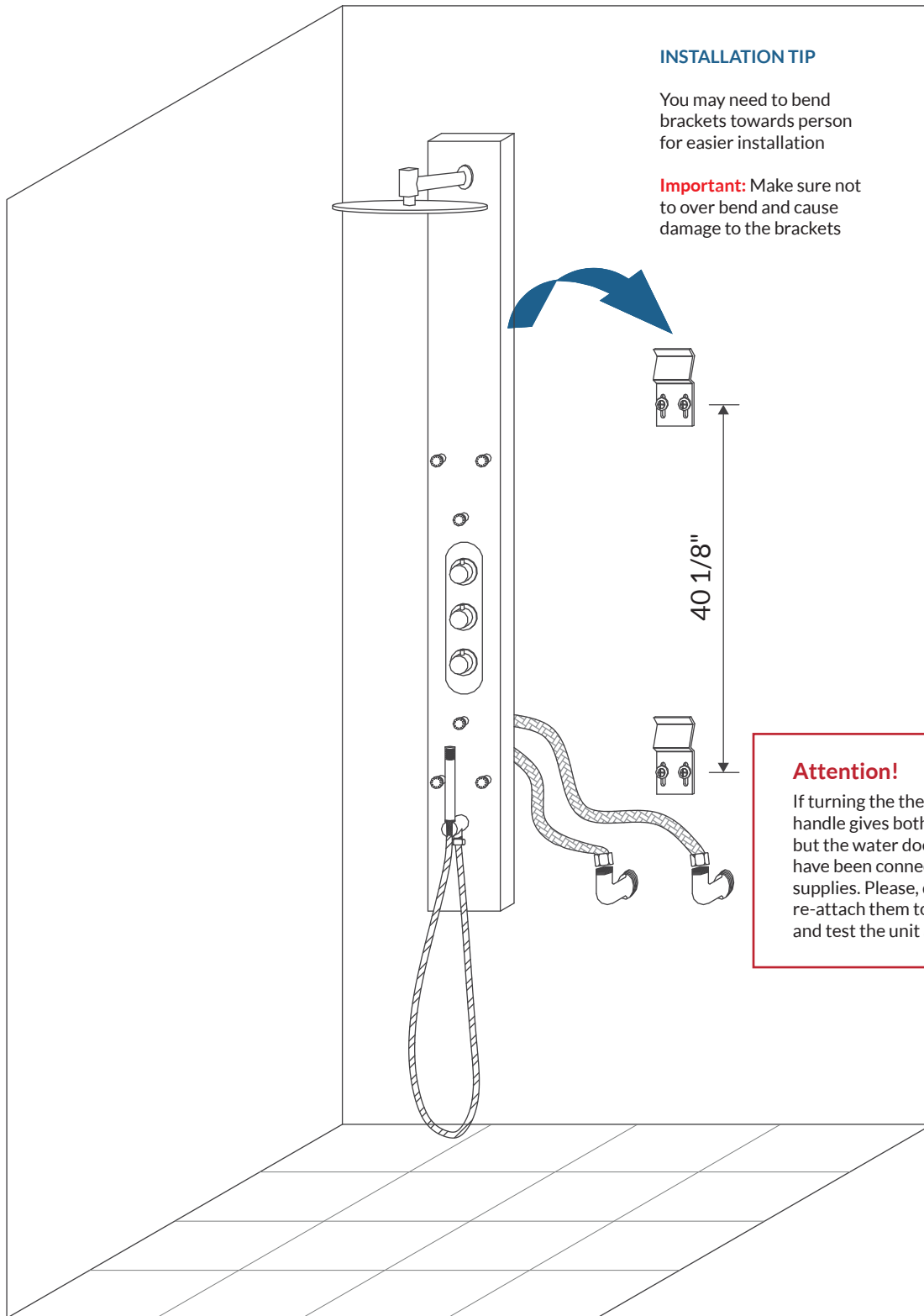
II. Drill holes on the wall.

III. Put four Installation wall plug (LSP2-14) into the holes. Make sure the Installation wall plug(LSP2-05) do not fall out easily.

IV. Fix both wall mounting brackets (LSP2-05) by tightening the screws (LSP2-13).



WALL INSTALLATION (PART 2)



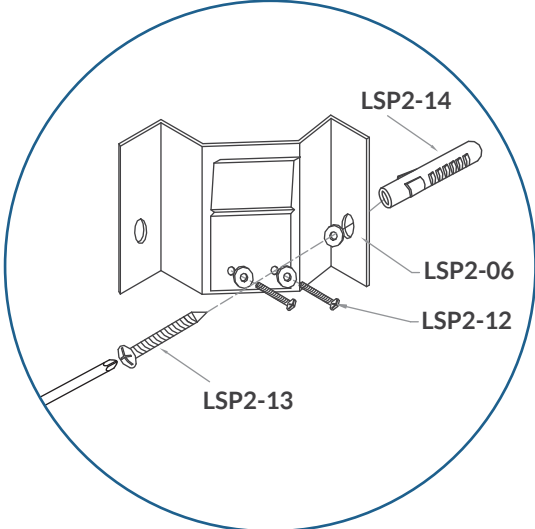
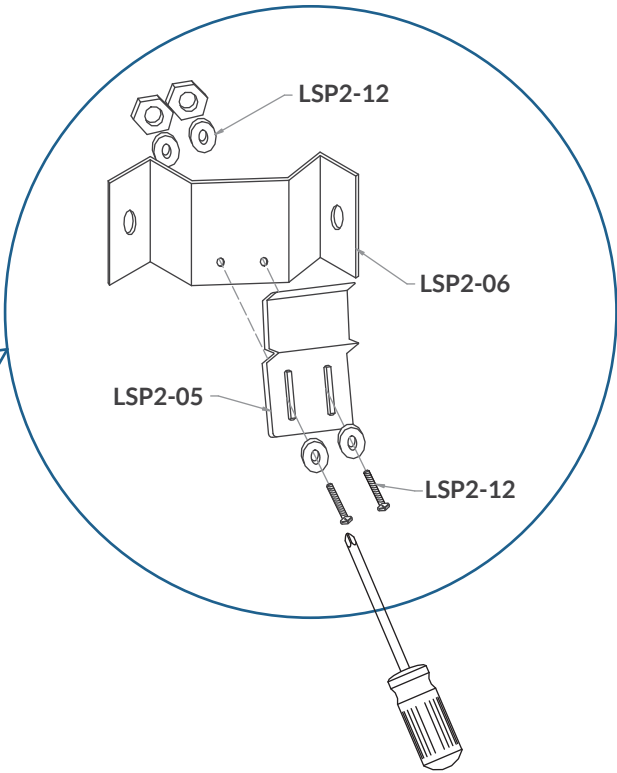
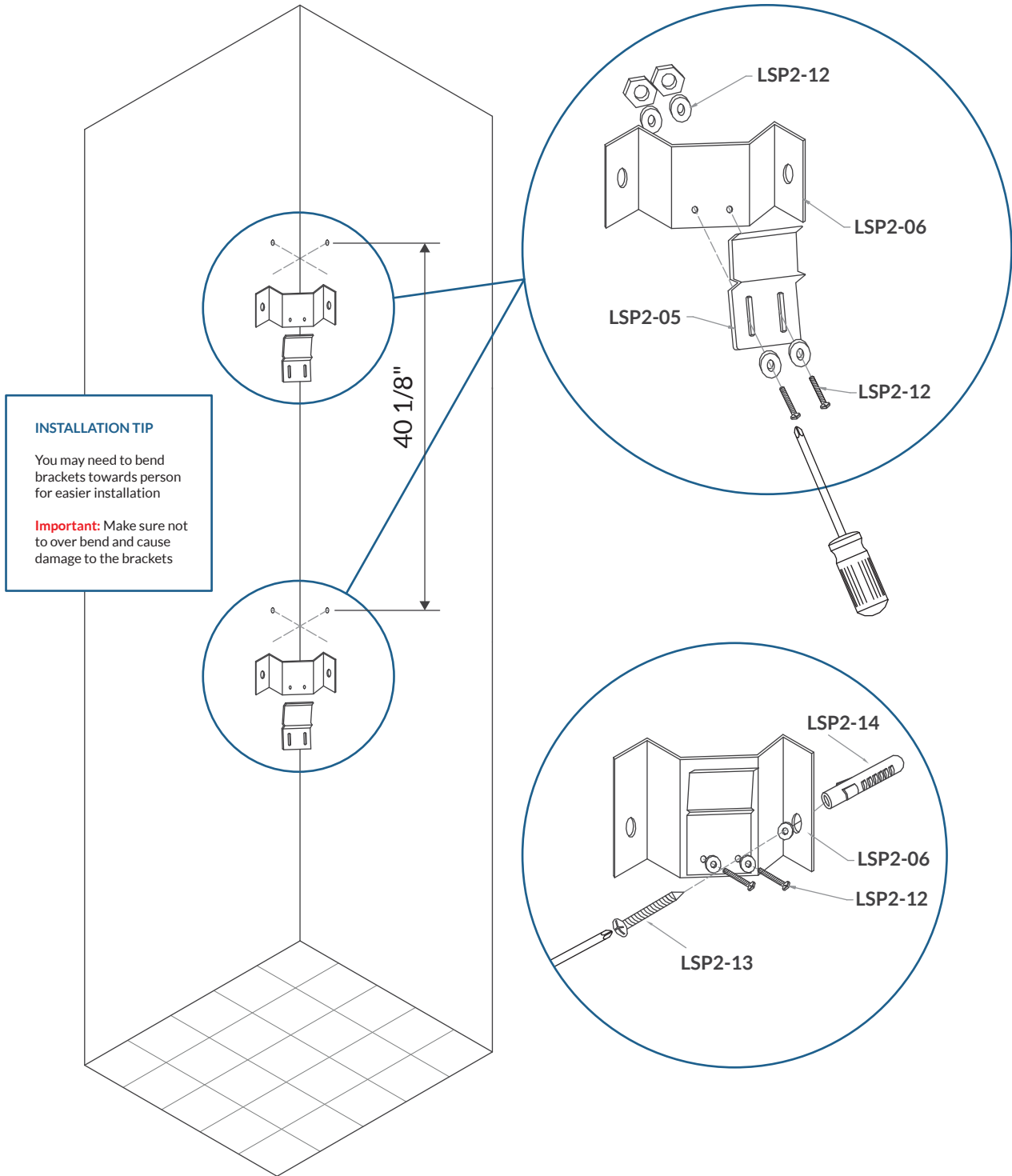
INSTALLATION TIP

You may need to bend brackets towards person for easier installation

Important: Make sure not to over bend and cause damage to the brackets

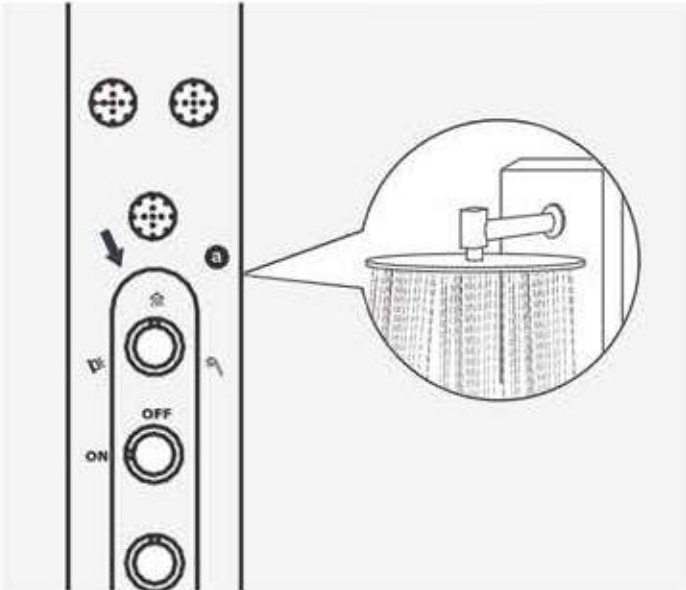
Attention!

If turning the thermostatic control handle gives both hot and cold water, but the water does not mix, the hoses have been connected to the incorrect supplies. Please, disconnect the hoses, re-attach them to the correct supplies and test the unit again.



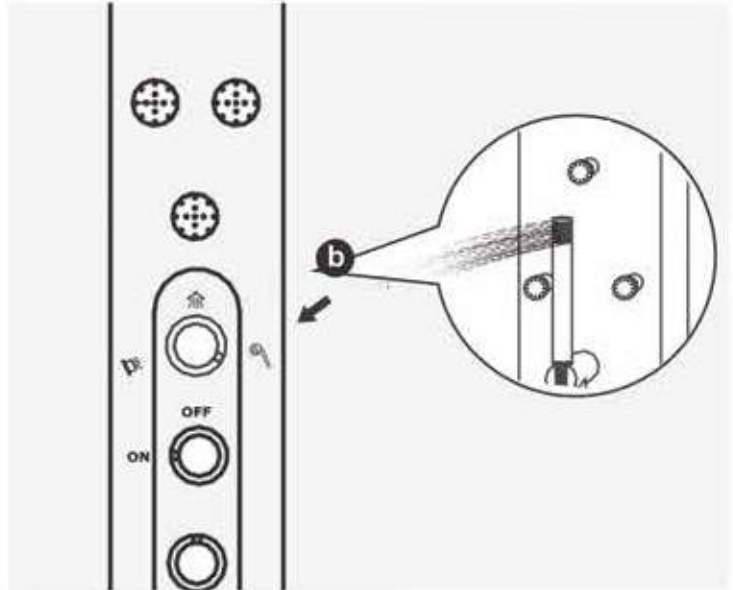
• Shower Head Position

When the position knob is placed in "a".



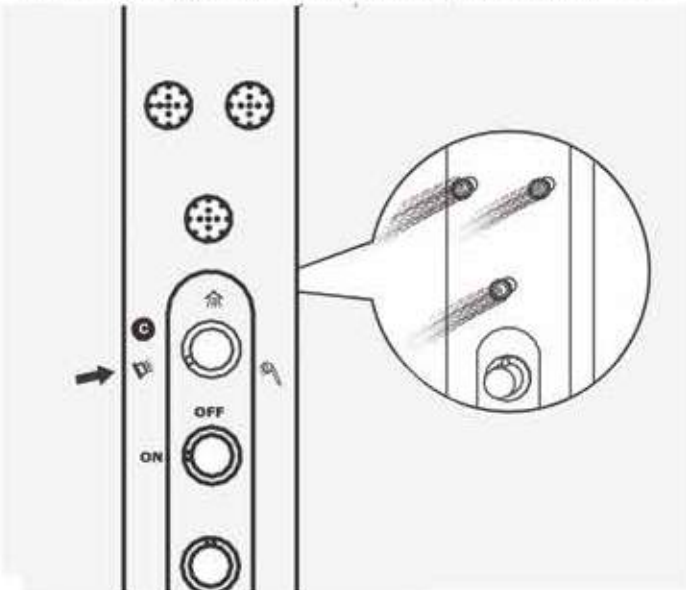
• Hand Shower Position

When the position knob is placed in "b".



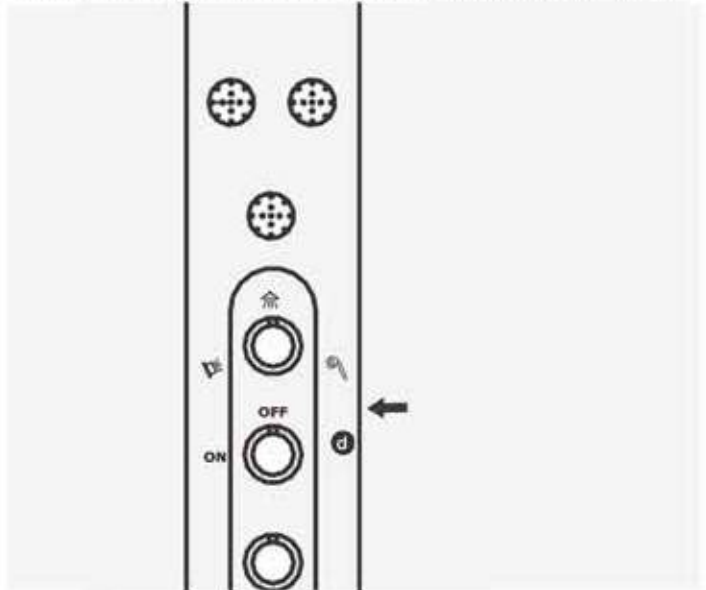
• Spray Position

When the position knob is placed in "c".



• OFF Position

When the position knob is placed in "d".



Note: How to use two modes simultaneously

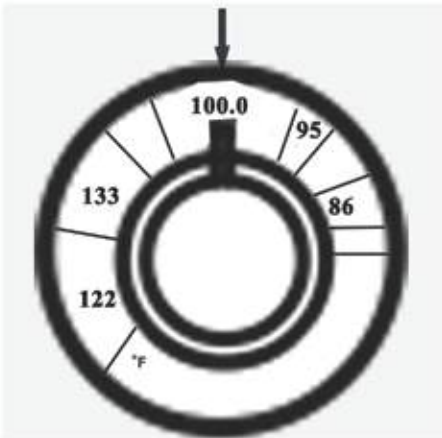
When the position knob is placed in between each setting mark, this will result in a sharing of water output between 2 operating modes. This can be used if combination of 2 modes is desired however the water output will be reduced due to sharing of water flowing through the system between those 2 operating modes.

For example:

When the position knob is placed e, the shower head and the back jets will work simultaneously.

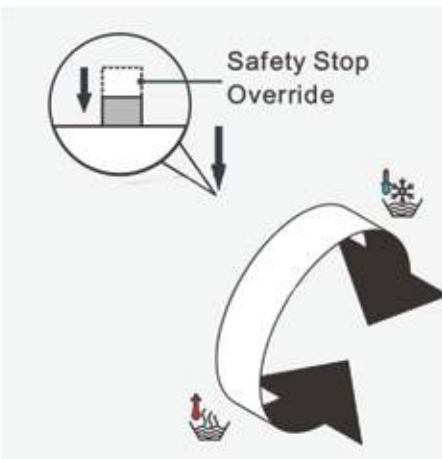


How to use the Temperature Control Knob



Attention:

- The maximum water temperature output should be 100.0 F.



How to use the Temperature Control Knob:

- Turning the handle clockwise makes the water cooler; turning the handle counter-clockwise makes the water warmer.
- When the safety stop override is at the 12:00 position, the output water is 100.0°F, the handle will stop.
- If a user wants water hotter than 100.0°F, press the safety stop override button and continue turning the handle counter-clockwise.



CLEANING RECOMMENDATION FOR LESSCARE SHOWER PANEL SYSTEMS

Modern sanitary tap-ware, kitchen mixers and showers consist of very different materials to comply with the needs of the market with regard to design and functionality. To avoid damage and reclamations, it is necessary to consider certain criteria when cleaning.

CLEANING MATERIAL FOR MIXERS AND SHOWERS

Acids are necessary ingredients of cleaning materials for removing lime, however, please pay attention to the following points when cleaning mixers and showers:

- Only use cleaning materials which are explicitly provided for this type of application.
- Never use cleaning materials which contain hydrochloric, formic or acetic acid, as they cause considerable damage.
- Phosphoric acid is also restricted as it can cause damage to the finish.
- Never mix any cleaning material with another.
- Never use cleaning materials or appliances that have an abrasive effect, such powdered and industrial cleansers, scouring pads or micro fiber cloths.

CLEANING INSTRUCTIONS FOR MIXERS AND SHOWERS

Please follow the instructions on your cleaning materials. In addition, pay attention to the following points:

- Clean the mixers and showers as needed and when required.
- The cleaning dosage and time the cleaner needs to take effect should be adjusted according to the product and the cleaner should not be left longer than necessary.
- Regular cleaning can prevent calcification.
- When using spray cleaner, spray first onto a cloth or sponge-never directly spray onto the sanitary tap-ware as drops could enter openings and gaps and cause damage.
- After cleaning, rinse thoroughly with clean water to remove any cleaner residue.

ATTENTION! Residues of liquid soaps, shampoos and shower foams can also cause damage, so rinse with clean water after using. If the surface is already damaged, the effect of cleaning materials Will cause further damage.

IMPORTANT! Damage caused by improper treatment will not be covered by our limited warranty

TROUBLESHOOTING

| ISSUE | CAUSE | REMEDY |
|------------------------------------------------------------------------------------------|------------------------------------------------------------------|-----------------------------------------------------------------------|
| 1. Water level is too low | Debris in flexible hose connection | Flush the line |
| 2. Hand shower delivering insufficient water | build up of mildew or soap scum | Soak or replace hand shower |
| 3. Temperature regulation not possible (only hot or cold water at time of installation*) | a) Thermostatic cartridge is defective b) PSI or GPM improper | a) Exchange thermostatic cartridge b) Install pressure regulator |
| 4. Temperature regulation not possible (only hot or cold water) | Thermostatic cartridge is defective or supply hose(s) faulty | Exchange thermostatic cartridge Resecure or replace supply hose(s) |

* - LessCare is not responsible for pressure related issues stemming from the home's water supply. The customer should read, understand and/or ask a certified plumber prior to installation. If these steps are not taken the product may not work at optimum efficiency.



**INSTALLATION OF LESSCARE PRODUCTS BY AN
INEXPERIENCED INSTALLER MAY RESULT
PERSONAL INJURY OR DEATH!**



INSTRUCTIONS THAT, IF IGNORED COULD RESULT IN DEATH OR SERIOUS INJURY CAUSED BY INCORRECT HANDLING OR INSTALLATION OF THE PRODUCT. THESE INSTRUCTIONS MUST BE OBSERVED FOR SAFE INSTALLATION.

LessCare is not responsible for local code compliance. Building and plumbing codes may vary from state-to-state in accordance to your location. LessCare is not responsible for providing any compliance certifications.

ATTENTION! Responsibility for compliance with your local code requirements **are excluded from this warranty**

ATTENTION! This limited warranty is voids on any commercial installation

LessCare products must be installed by a fully insured and licensed professional only. Installation of any LessCare product by anyone other than fully insured and licensed professionals shall **void limited warranty**. LessCare recommends that such licensed professionals have experience in the installation of products.

Retain these installation instructions for future reference!

LessCare reserves the right to modify this installation instructions at any time.
It is a customer's sole responsibility to inquiry for the updates of the installation instructions.