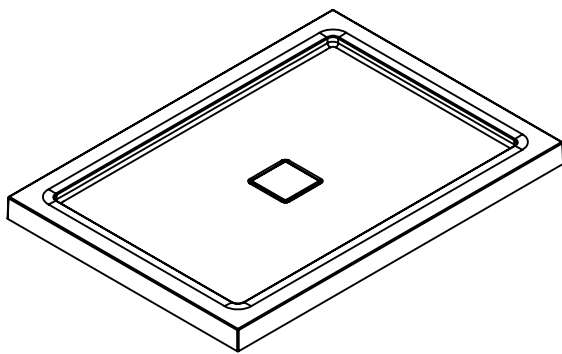


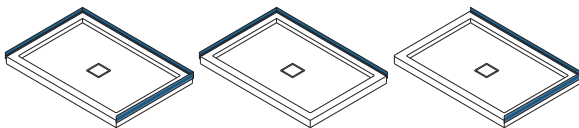


# SHOWER BASE TRAYS

## INSTALLATION INSTRUCTIONS



ASSEMBLED WITH ALUMINUM FLANGES:



ALCOVE  
SHOWER DOOR

WALL CORNER  
SHOWER ENCLOSURE

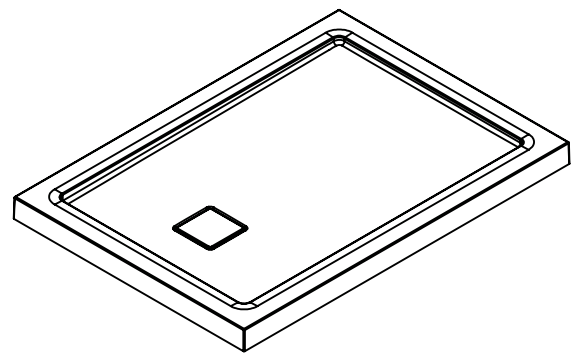
WALL CORNER  
SHOWER ENCLOSURE

### MODELS AND SIZES:

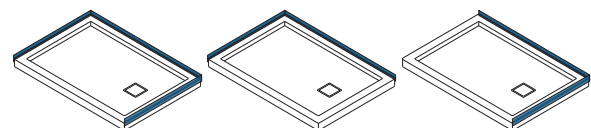
LSB3232C-W	32" x 32"
LSB3636C-W	36" x 36"
LSB4834C-W	48" x 34"
LSB4836C-W	48" x 36"
LSB6030C-W	60" x 30"
LSB6032C-W	60" x 32"
LSB6034C-W	60" x 34"
LSB6036C-W	60" x 36"



Centered drain opening



ASSEMBLED WITH ALUMINUM FLANGES:



ALCOVE  
SHOWER DOOR

WALL CORNER  
SHOWER ENCLOSURE

WALL CORNER  
SHOWER ENCLOSURE

### MODELS AND SIZES:

LSB4834RL-W	48" x 34"
LSB4836RL-W	48" x 36"
LSB6030RL-W	60" x 30"
LSB6032RL-W	60" x 32"
LSB6034RL-W	60" x 34"
LSB6036RL-W	60" x 36"



Right/Left reversible drain opening



# SHOWER BASE TRAYS

## PREPARATION FOR INSTALLATION

### PREPARATION FOR INSTALLATION

**! READ ALL INSTRUCTIONS BEFORE UNPACKING THE PRODUCT**

**CAUTION!** **TWO PERSON LIFT REQUIRED** **2 PEOPLE ARE REQUIRED TO LIFT AND CARRY THIS PRODUCT DURING INSTALLATION**

LessCare reserves the right to change, update, modify, alter, redesign this manual/product or its policies without prior notice! It is your responsibility to visit website to download or contact customer service for the most updated version of the installation instructions.

LessCare shall not be liable for any injuries or property damages in connection with this product during installation or use of this product!

#### IMPORTANT UNPACKING INSTRUCTIONS:

When you have open top carton box lid, do not take out the product before you read this and have the product in place. Have a soft cloth blanket min ¼" thick and make sure cloth blanket is bigger then the size of the product in your working area place. Set this soft cloth blanket on the floor of working area. Take out the product from the carton box and set it on the soft cloth blanket. Do not lean it on the wall or floor without the soft cloth blanket.

**ATTENTION!** Never set the product on floor, tile, solid floor, or wall surface without a soft cloth blanket. If you set it without soft cloth blanket it will cause scratches to the surface. Improper handling may cause scratches as well. NEVER set the product on its corners. Make sure the your floor is leveled with the soft cloth blanket when preparing the product for installation.

After opening the package, read this introduction carefully. Check that all of the needed parts are included in the package by checking all the components on the diagram of components. Examine boxes and packages for shipping damage. If the unit has been damaged or missing parts, please contact our customer support department immediately. Please note that LessCare will not replace any damaged products or missing parts after 2 business days of the order receipt.

**VERY IMPORTANT!** You should consult your local building codes with questions on installation compliance standards. Building and plumbing codes may vary from state to state and location. LessCare is not responsible for code compliance standards for your project and will not accept any returns. Prior to installation, ensure that the installation surface is leveled and solid, and will be able to support the total weight of the unit.

#### READ CAREFULLY THIS GUIDE BEFORE PROCEEDING WITH THE INSTALLATION.

The shower base feet are not trimmed to be level, and are intended to be set in mortar. Construct a leveled subfloor that will adequately support the shower base. Do not support the shower base by the rim. Shower base tray model with centered drain is shown for illustrative purpose, The same installation steps apply for right and left drain models.

- Make sure you have all the tools and materials needed for installation. Always wear safety glasses at all times during the installation
- The shower base must be installed perfectly leveled on a floor and walls that are also perfectly leveled
- The weight of the shower base must rest on the floor. No weight should be supported by the tiling flange or the base skirt

**IMPORTANT:** All required drainage and plumbing must be installed prior the shower base tray installation. All provided in the installation manual are for reference only. The actual shower base tray including overall dimensions and drain location must be measured before installation. Dimensions to the center of drain location may have a tolerance +/- 1/2".

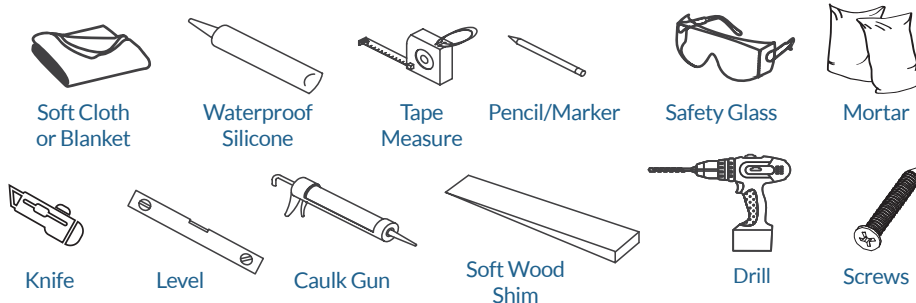


**INSTRUCTIONS THAT, IF IGNORED COULD RESULT IN SERIOUS INJURY OR DEATH CAUSED BY INCORRECT HANDLING OR INSTALLATION OF THE PRODUCT. THESE INSTRUCTIONS MUST BE OBSERVED FOR SAFE INSTALLATION!**

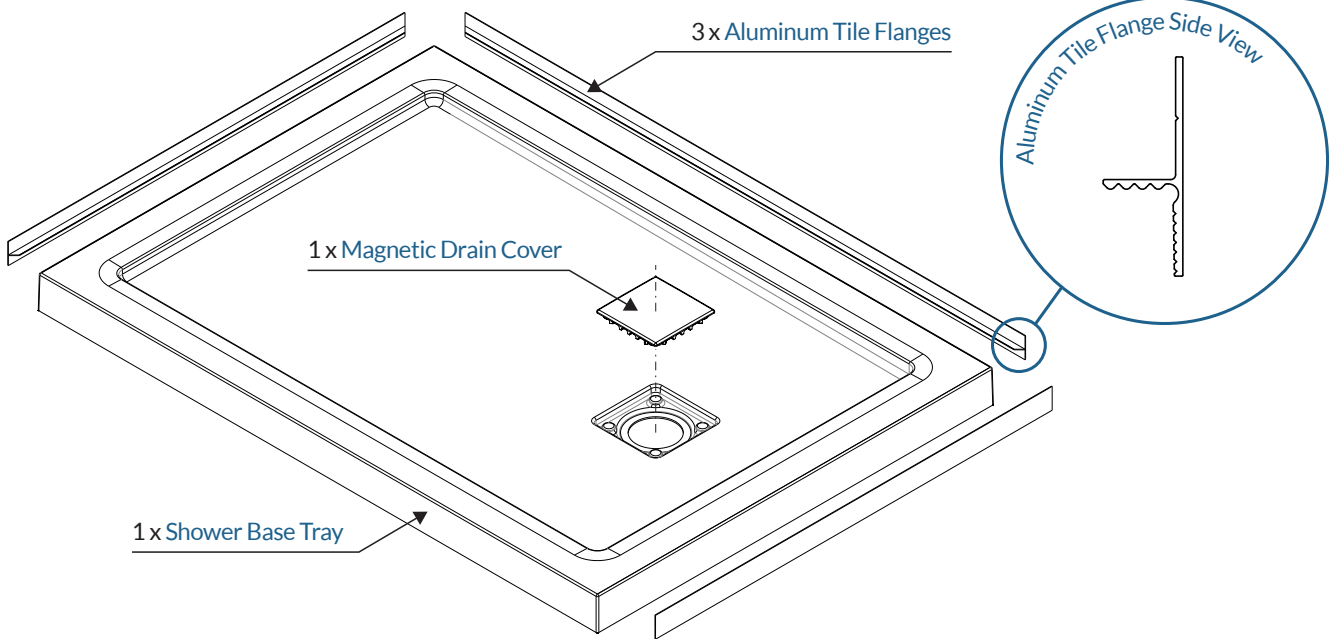
#### LICENSED AND INSURED PLUMBER CONTRACTOR IS REQUIRED TO INSTALL THIS PRODUCT INCLUDING ASSISTANCE OF A SECOND PERSON DURING INSTALLATION

No modifications to the product are allowed. Modifications of any types to the product will result in serious injuries or may cause death.

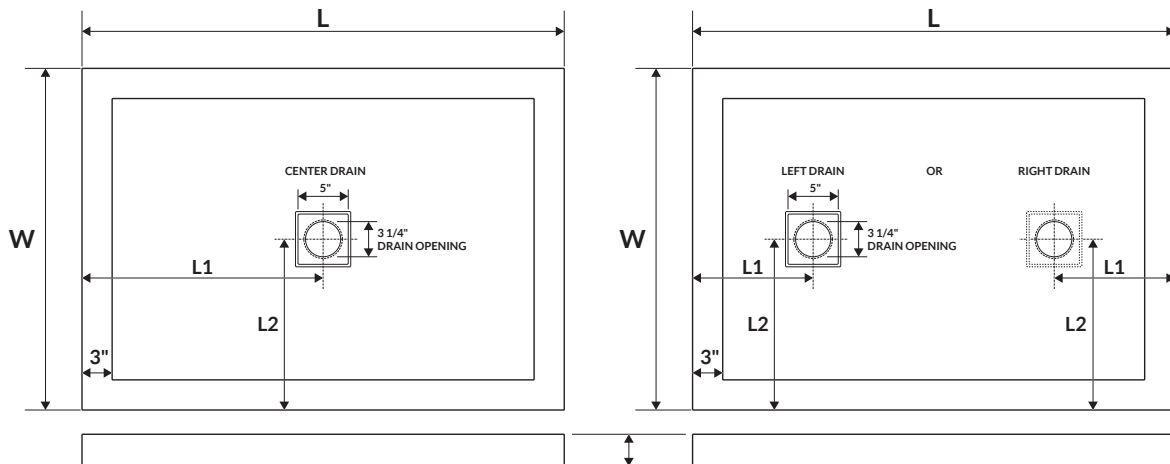
#### TOOLS & MATERIALS REQUIRED:



OTHER TOOLS & MATERIALS MAY BE REQUIRED



### DIMENSIONS



2 3/4"  
PROFILE HEIGHT



Shower base trays  
with **center drain** opening

Model:	L	W	L1	L2
LSB3232C-W	32"	32"	16"	16"
LSB3636C-W	36"	36"	18"	18"
LSB4834C-W	48"	34"	24"	17"
LSB4836C-W	48"	36"	24"	18"
LSB6030C-W	60"	30"	30"	15"
LSB6032C-W	60"	32"	30"	16"
LSB6034C-W	60"	34"	30"	17"
LSB6036C-W	60"	36"	30"	18"



Shower base trays  
with **right/left drain** opening

Model:	L	W	L1	L2
LSB4834RL-W	48"	34"	12"	17"
LSB4836RL-W	48"	36"	12"	18"
LSB6030RL-W	60"	30"	12"	15"
LSB6032RL-W	60"	32"	12"	16"
LSB6034RL-W	60"	34"	12"	17"
LSB6036RL-W	60"	36"	12"	18"



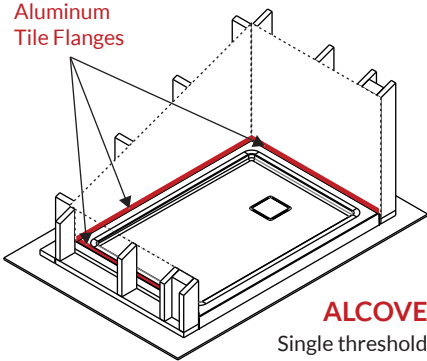
Before installation, take the shower base out of the packaging and make sure the base is in good shape. If there is a problem, report it immediately to the seller!

### BEFORE INSTALLATION

- Use the protector printed on the packaging box to protect the bottom of the base during installation
- Cover the drain of the shower so no parts are lost
- Prior to install the shower base, all framing and plumbing work must be completed in accordance with instructions and local codes
- For renovation work, existing shower surfaces must be removed to accommodate framing requirements
- To facilitate leveling, it is recommended to apply a layer of mortar on the floor surface where the shower base will be installed
- Clean surfaces with a soft wet cloth before applying any caulking, glue or mortar

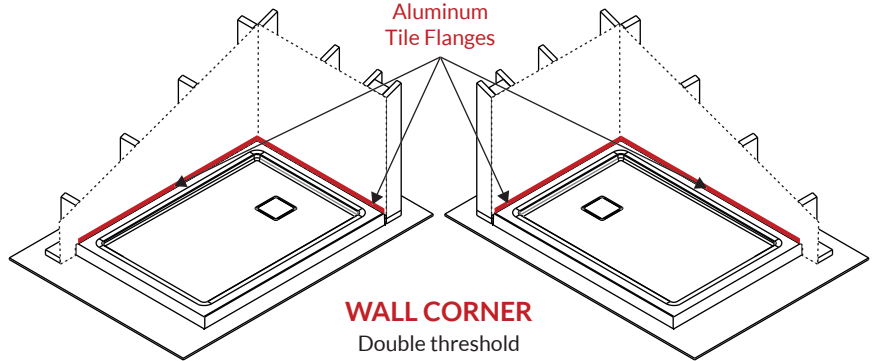
### THREE METHODS TO INSTALL LESSCARE® SHOWER BASE TRAYS:

Aluminum  
Tile Flanges

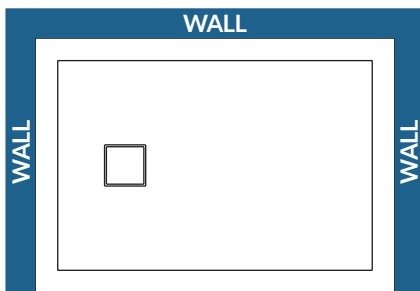
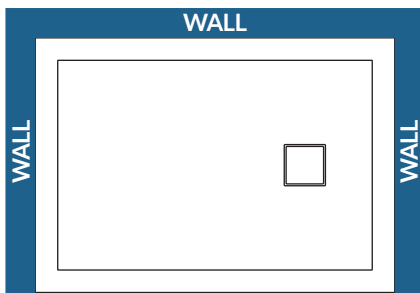


**ALCOVE**  
Single threshold  
installation with  
3 tile flanges

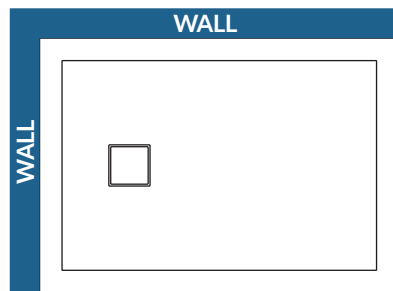
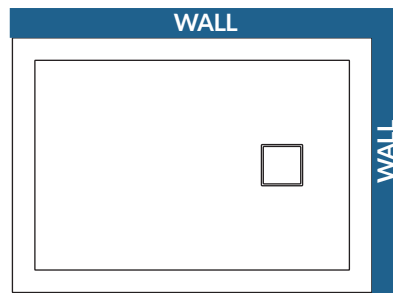
Aluminum  
Tile Flanges



**WALL CORNER**  
Double threshold  
installation with  
2 tile flanges



**ALCOVE**  
Shower base tray is installed  
against three walls  
(for shower doors)



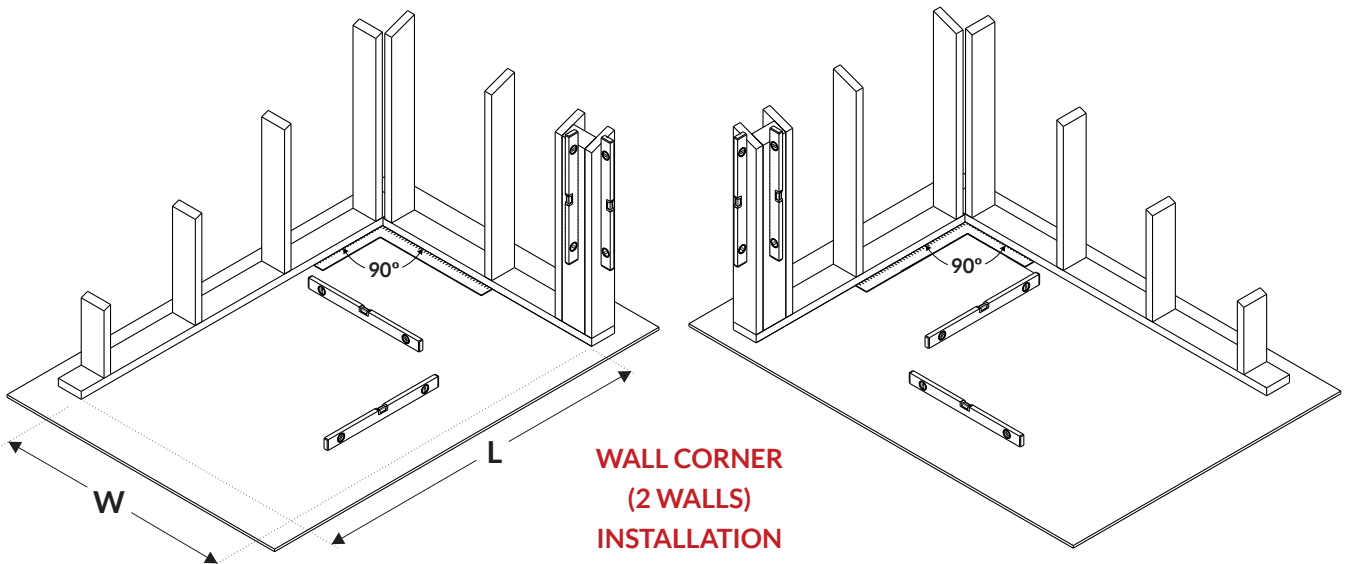
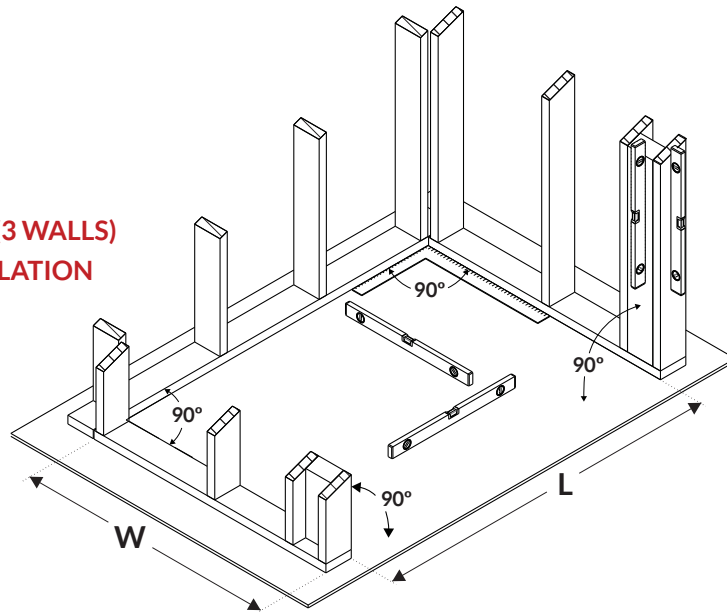
**WALL CORNER**  
Shower base tray is installed  
against two walls  
(for shower enclosures)

The shower base tray must be installed directly against the studs, not against the finished wall.

### PREPARE WALL FRAMING

Measure the shower base and construct a plumb stud pocket. The shower base must be installed directly against the studs, not against the finished wall. See the dimensions according to the model of the shower base on page 3. Construct a leveled subfloor that will adequately support the shower base.

#### ALCOVE (3 WALLS) INSTALLATION



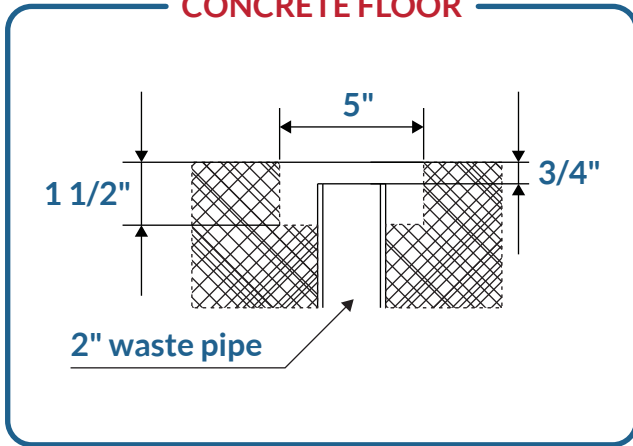
#### WALL CORNER (2 WALLS) INSTALLATION

### PLUMBING INSTALLATION

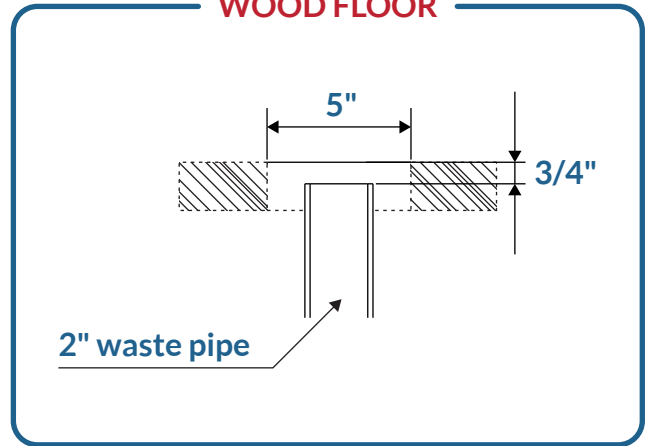
Mark the drain location. Cut or drill the floor to accommodate plumbing. The 2" drain pipe should be about 3/4" below the floor line.

**IMPORTANT:** The drain dimensions and installation instructions might vary according to the model of a drain used. Refer to drain manufacturer's instructions for proper installation.

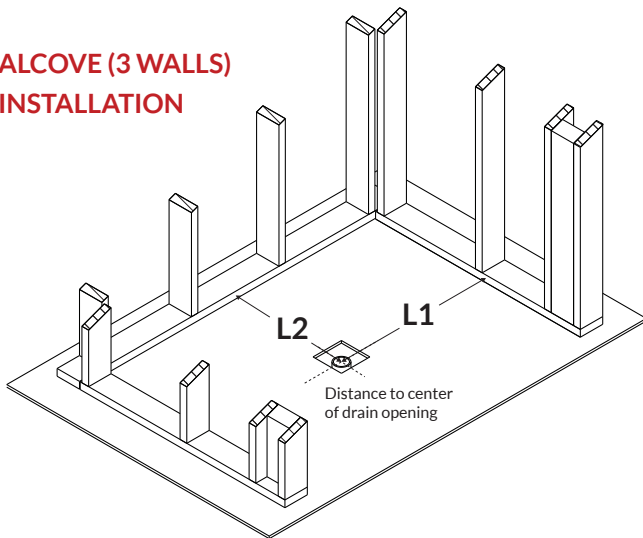
#### CONCRETE FLOOR



#### WOOD FLOOR



#### ALCOVE (3 WALLS) INSTALLATION



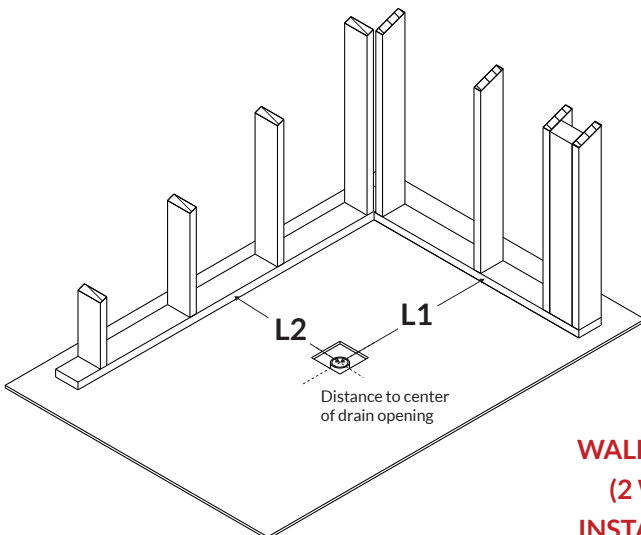
CENTER DRAIN

Model:	L	W	L1	L2
LSB3232C-W	32"	32"	16"	16"
LSB3636C-W	36"	36"	18"	18"
LSB4834C-W	48"	34"	24"	17"
LSB4836C-W	48"	36"	24"	18"
LSB6030C-W	60"	30"	30"	15"
LSB6032C-W	60"	32"	30"	16"
LSB6034C-W	60"	34"	30"	17"
LSB6036C-W	60"	36"	30"	18"

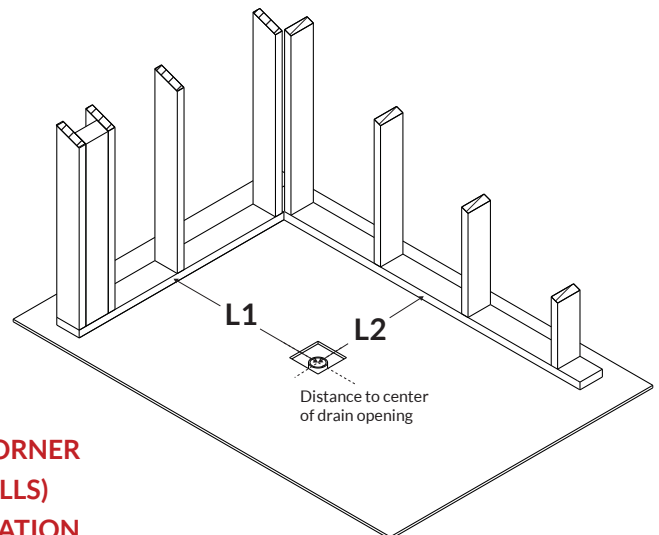


RIGHT/LEFT DRAIN

Model:	L	W	L1	L2
LSB4834RL-W	48"	34"	12"	17"
LSB4836RL-W	48"	36"	12"	18"
LSB6030RL-W	60"	30"	12"	15"
LSB6032RL-W	60"	32"	12"	16"
LSB6034RL-W	60"	34"	12"	17"
LSB6036RL-W	60"	36"	12"	18"

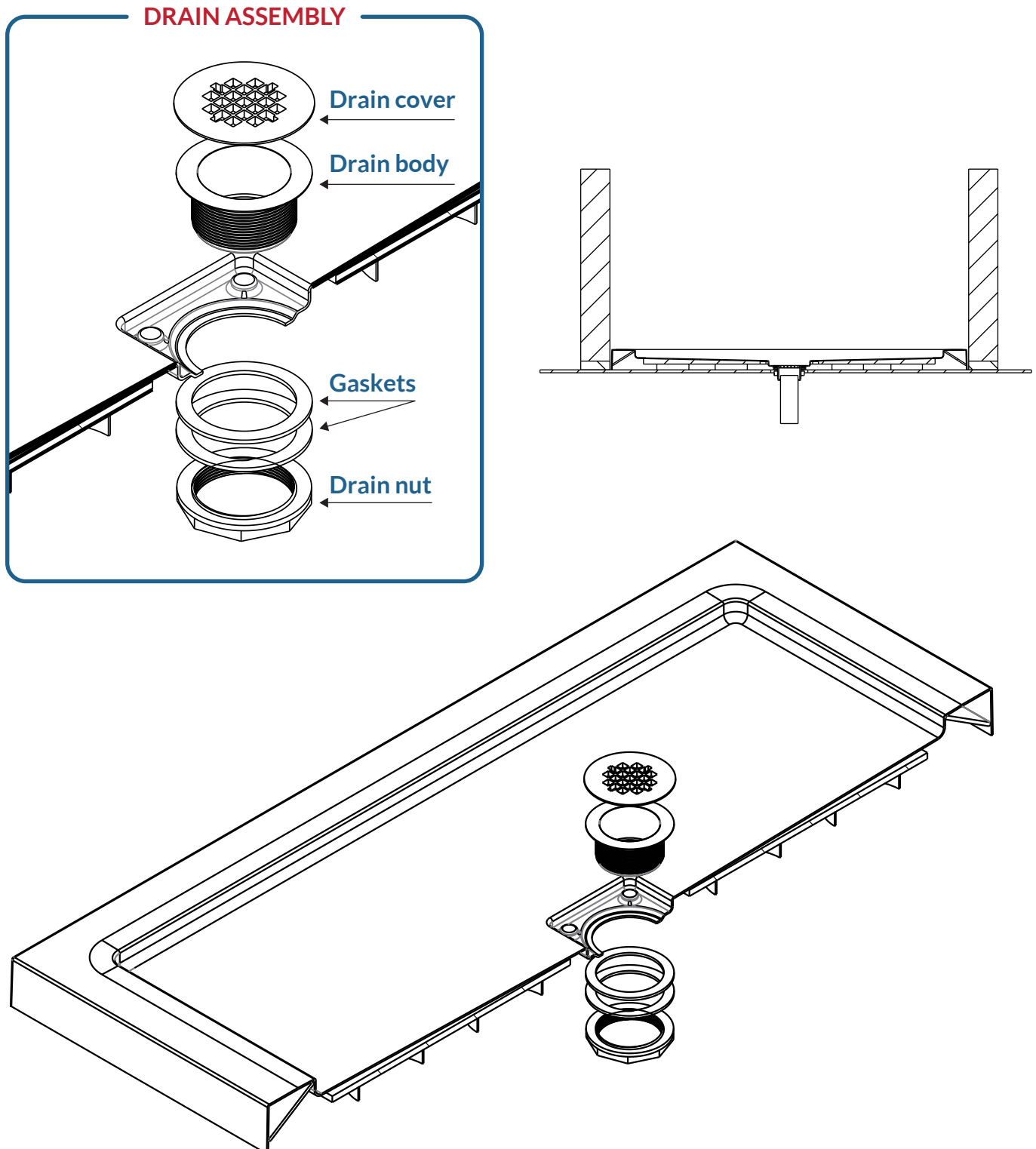


#### WALL CORNER (2 WALLS) INSTALLATION



Components might vary according to the model of drain used.  
Refer to manufacturer's instructions for proper installation.

Install the drain on the shower base according to the manufacturer's instructions

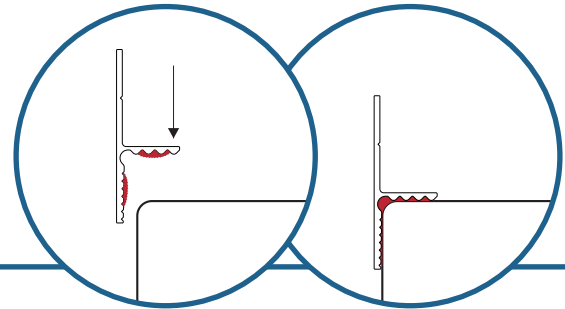
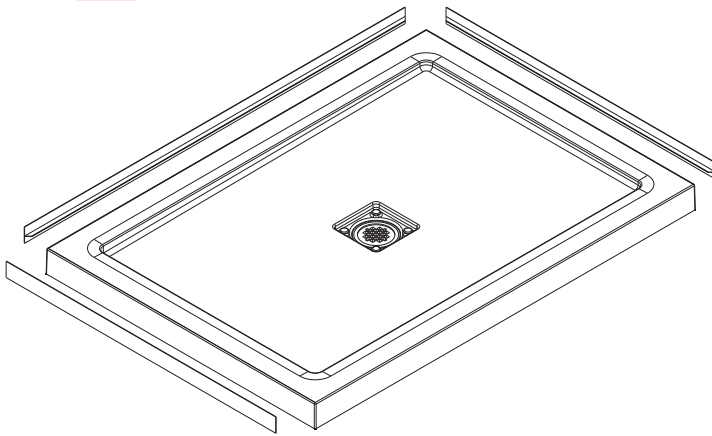


# SHOWER BASE TRAYS

## TILE FLANGES INSTALLATION

### DETERMINE TILE FLANGE LOCATION

Determine the tiling flange profiles location in accordance to the shower base installation site. Use 3 tile flanges for alcove installation or 2 tile flanges for wall corner installation.



Side view

Waterproof silicone

**APPLY WATERPROOF SILICONE**

Apply a bead of waterproof silicone in the groove under the tiling flange profiles.

**A**

**ATTACH TILE FLANGES TO BASE**

Carefully attach all required for installation tile flanges to the base's edge.

**B**

**APPLY WATERPROOF SILICONE**

Apply waterproof silicone at all intersections of the installed tile flanges.

**C**

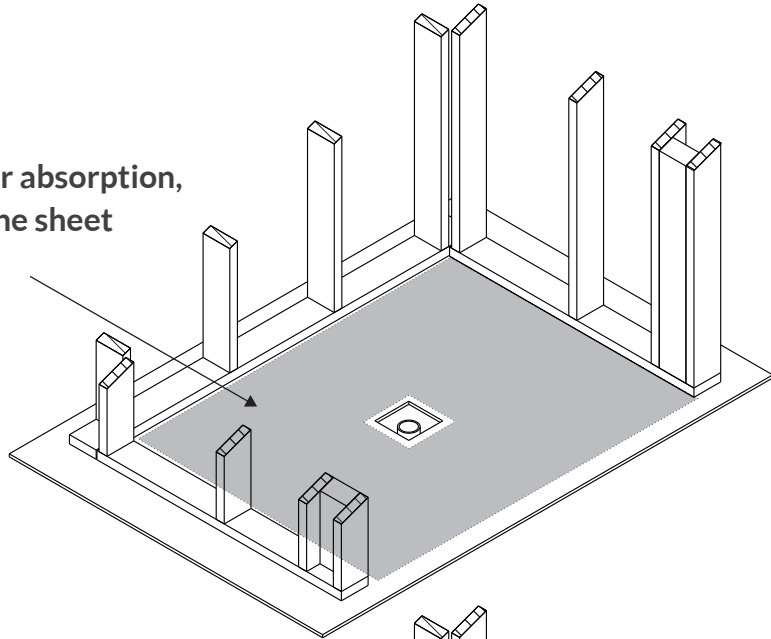
## IMPORTANT!

ALLOW SILICONE TO DRY 24 HOURS  
BEFORE PROCEEDING TO THE NEXT  
INSTALLATION STEPS



**A**

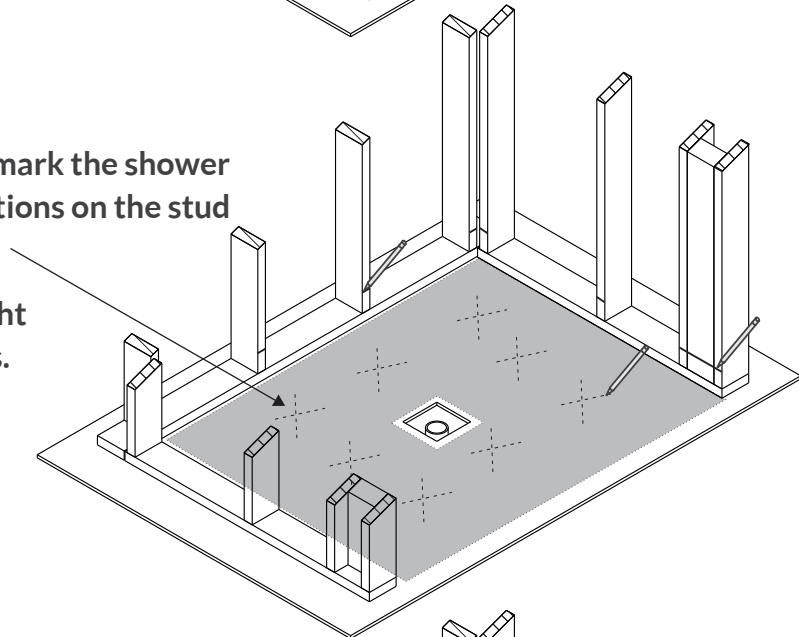
To prevent water absorption, lay a polyethylene sheet on the subfloor.



**B**

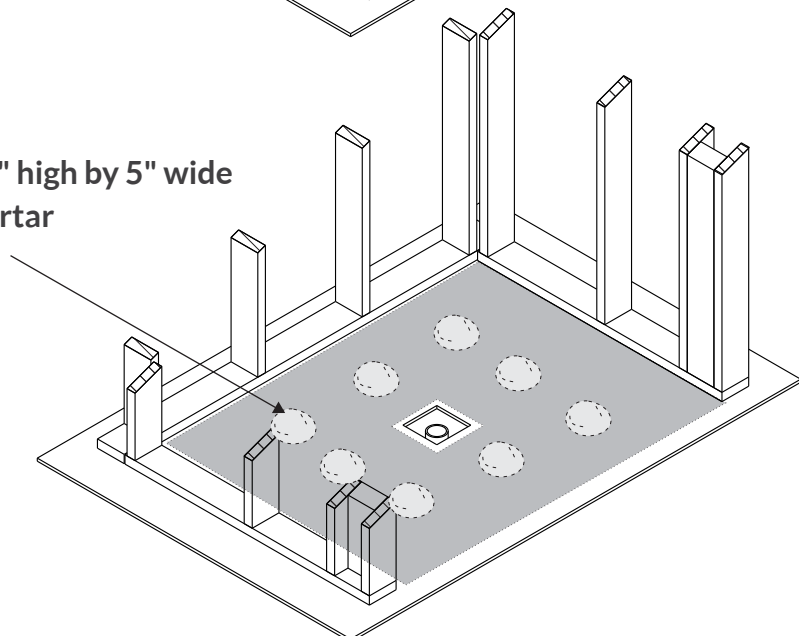
Measure and mark the shower base feet locations on the stud pocket floor.

Mark the height of Tile Flanges.



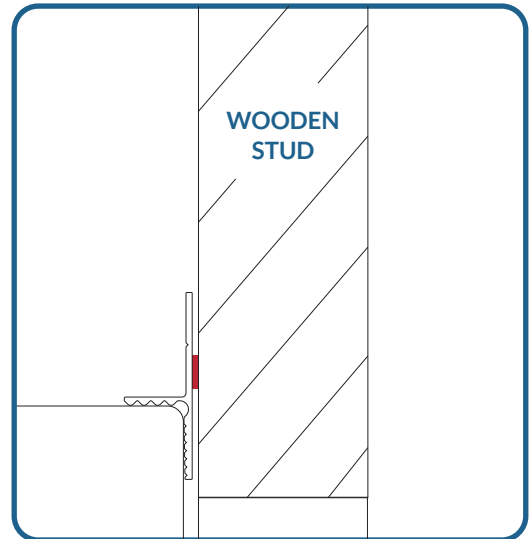
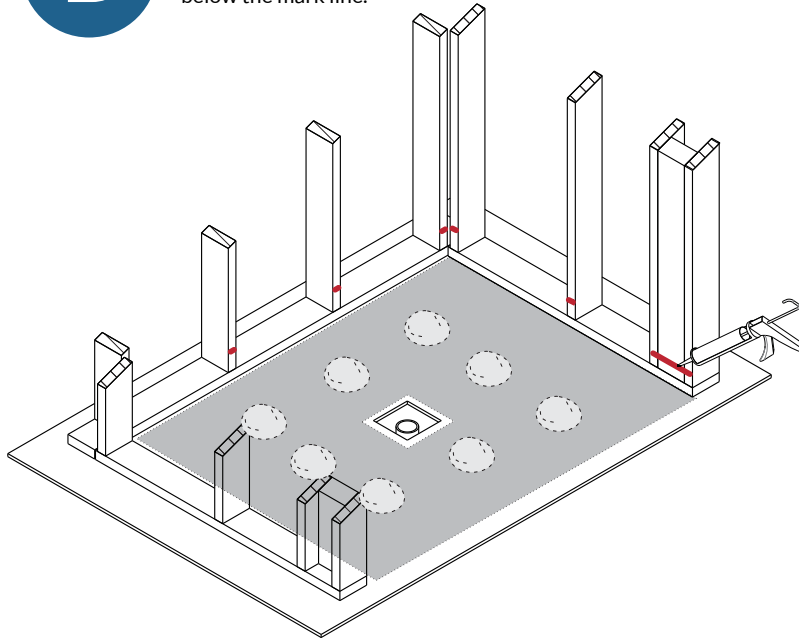
**C**

Position 1 1/4" high by 5" wide mounds of mortar on the marks.



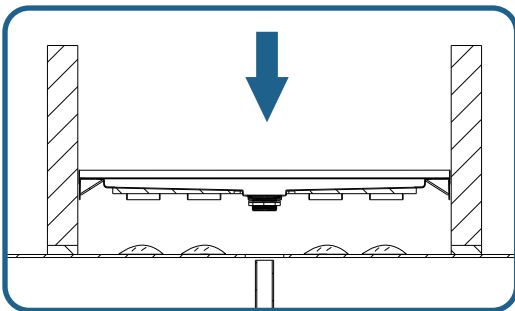
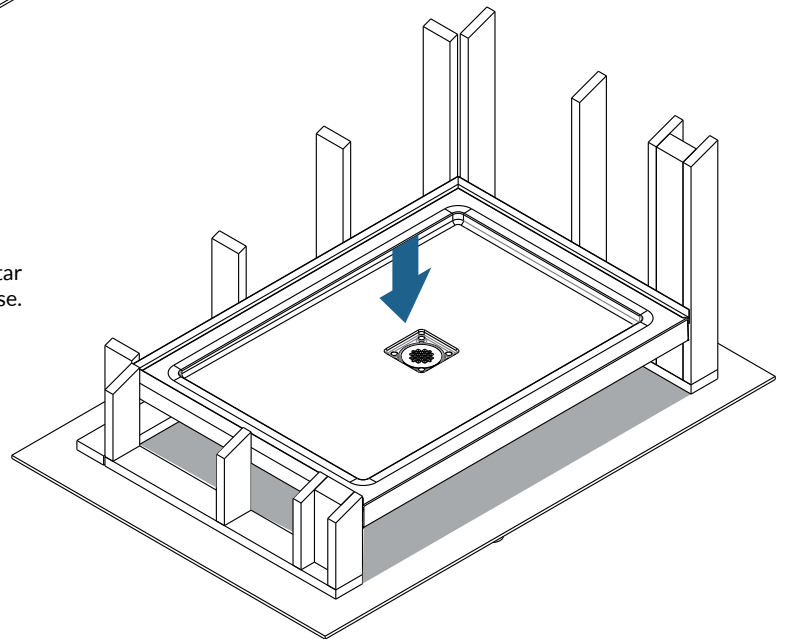
**D**

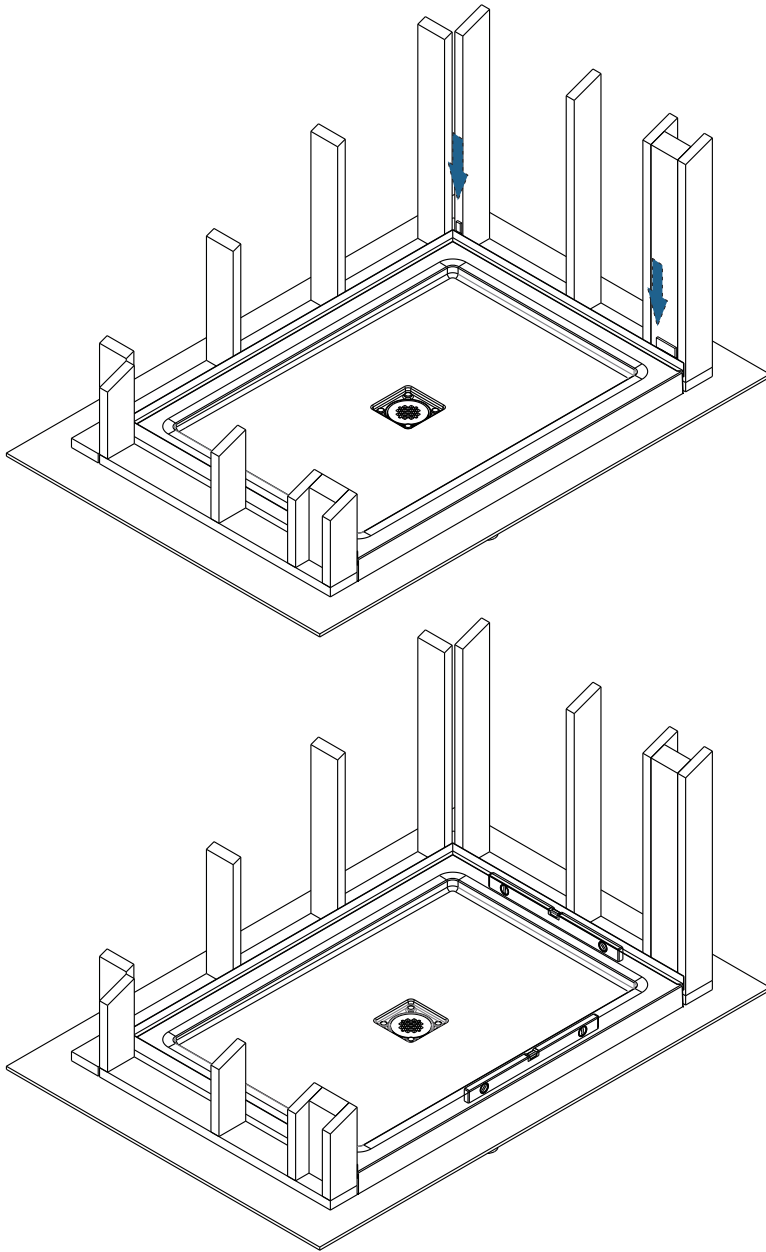
Apply 100% waterproof silicone sealant on the stud below the mark line.



**E**

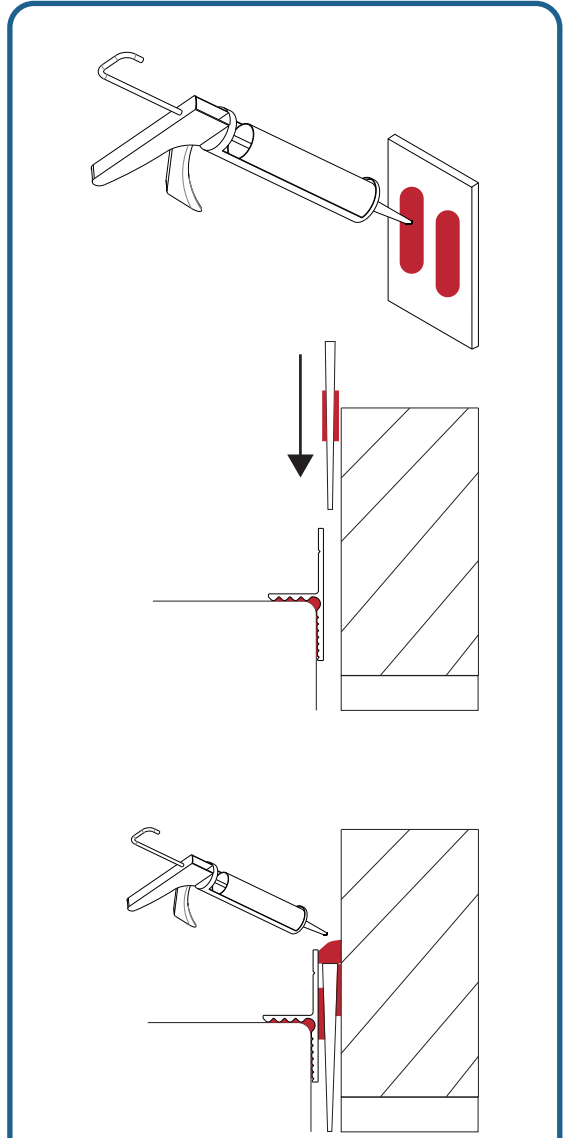
Lower the base over the drainage pipe, Apply pressure to ensure that the compound or mortar is in contact with the bottom surface of the base.





**F**

Fit shims in any gaps between the studs and the flange.



Fill all gaps with a 100% waterproof silicone

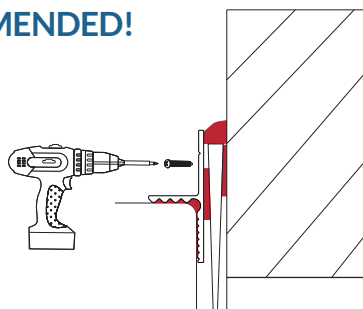
**G**

Level the shower base tray using level tool.

**Important:** if the shower base tray is not completely leveled, water will not drain completely and will collect on the shower base tray's floor. Water collection will create a slippery layer on the floor and may cause slip-and-fall accidents.

### HIGHLY RECOMMENDED!

After leveling shower base tray it is highly recommended to drill holes through the tile flanges and use screws to secure the tile flanges to the wooden studs for extra stability of the shower base tray.

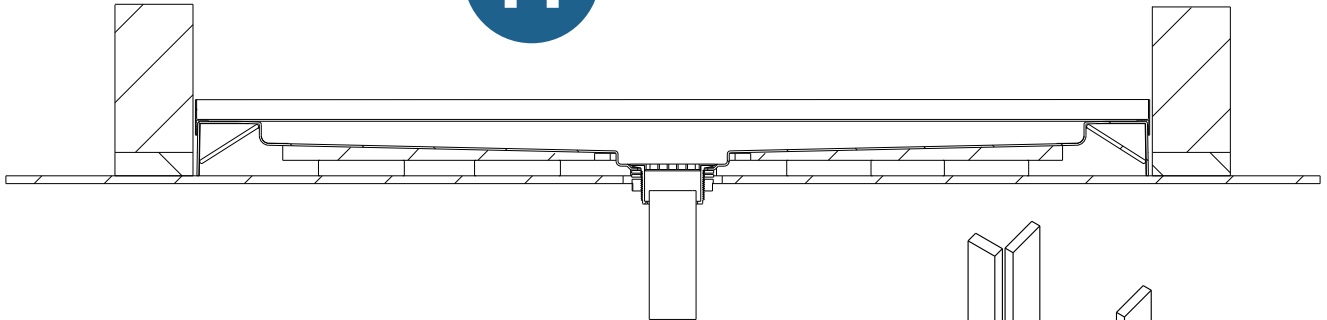


### IMPORTANT!

ALLOW SILICONE TO DRY 24 HOURS BEFORE PROCEEDING TO THE NEXT INSTALLATION STEPS

**H**

Connect the drain pipe

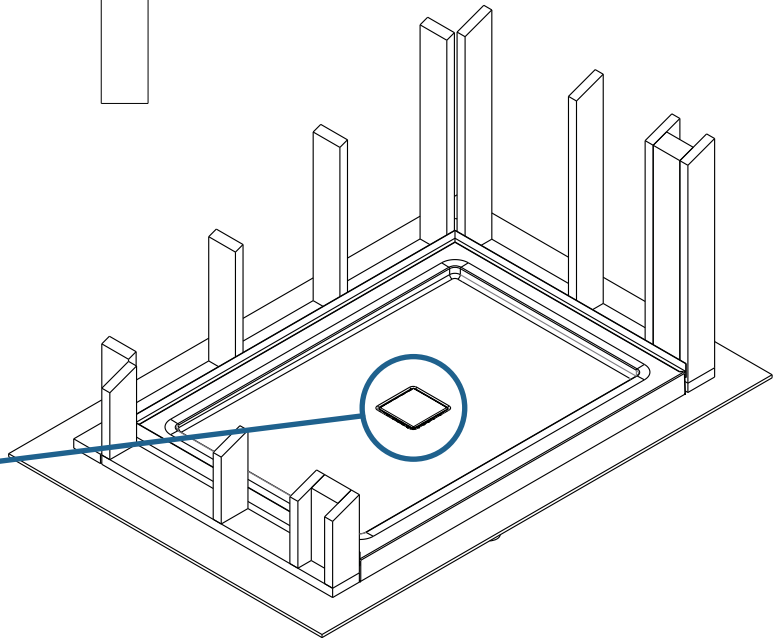


**I**

Clean the shower base and cover the drain cover

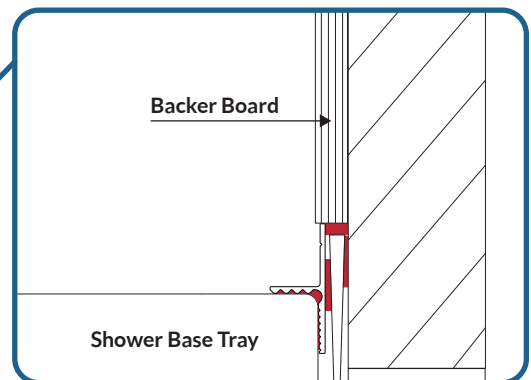
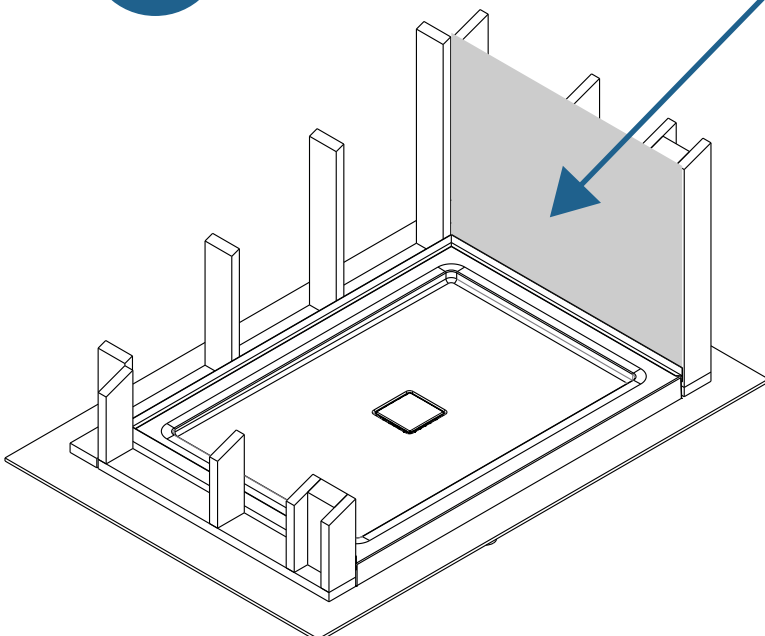


**Caution:** The magnetic force is strong. Be careful while closing the cover as it may hurt your fingers.



**J**

Install backer board across all walls on top of tile flanges.

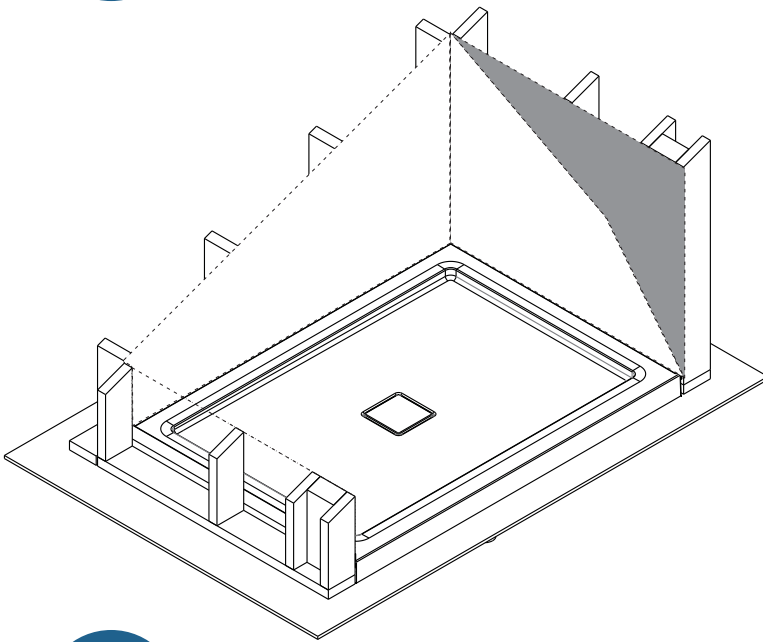


Backer Board

Shower Base Tray

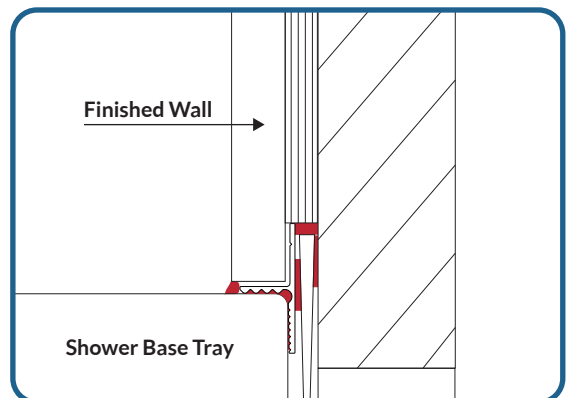
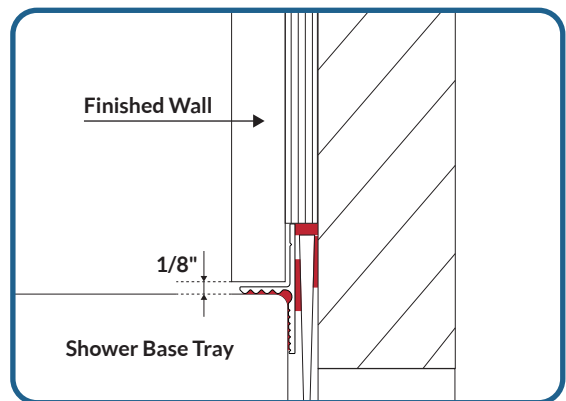
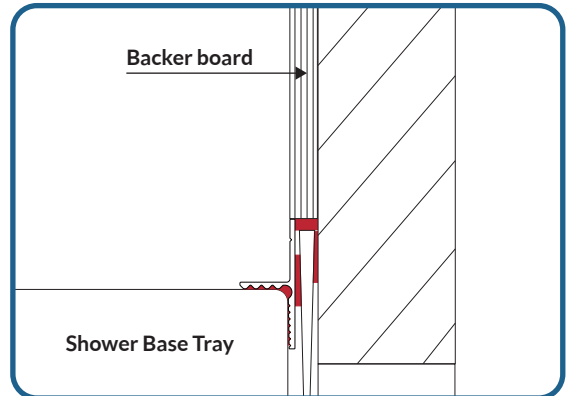
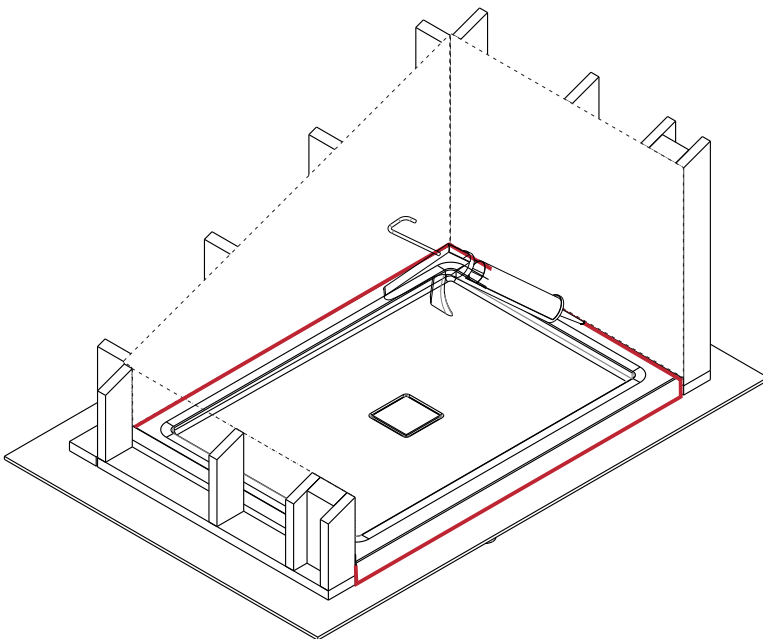
**K**

Use furring strips to make the framing flush with the tile flanges.



**L**

Apply 100% waterproof silicone at the place of connections



# IMPORTANT!

ALLOW SILICONE TO DRY 24 HOURS  
BEFORE PROCEEDING TO THE NEXT  
INSTALLATION STEPS



# SHOWER BASE TRAYS

## MAINTENANCE & CARE

### IMPORTANT!

**DO NOT USE:** Abrasive cleaners such as: acid, ammonia, bleach, and similar solutions. Use of such solutions may cause corrosion, finish peeling, and/or dull the surface.

**DO NOT USE:** Abrasive sponges or cloth. Never use steel, wool, or wired brushes that will permanently scratch the surface.

To avoid damage and optimize your product, you must follow the below recommendations when maintaining your product. Damages resulting from inappropriate handling are not covered by the warranty.

- Rinse with clean water and dry with a soft cloth or sponge. Do not use anything abrasive such as a scouring brush or sponge to clean the surfaces.
- For tough stains, use a gentle liquid detergent such as dish soap and hot water. Do not use an abrasive and acidic cleaner.
- Carefully read the label on the cleaning product to make sure it is safe and appropriate. Always try the cleaning solution on a less visible surface before applying it to the rest.
- Completely rinse with water immediately after applying the cleaner.
- Regular cleaning prevents the accumulation of dirt and tough stains.

Retain these installation instructions for future reference!

Thank you for using LessCare products!

