

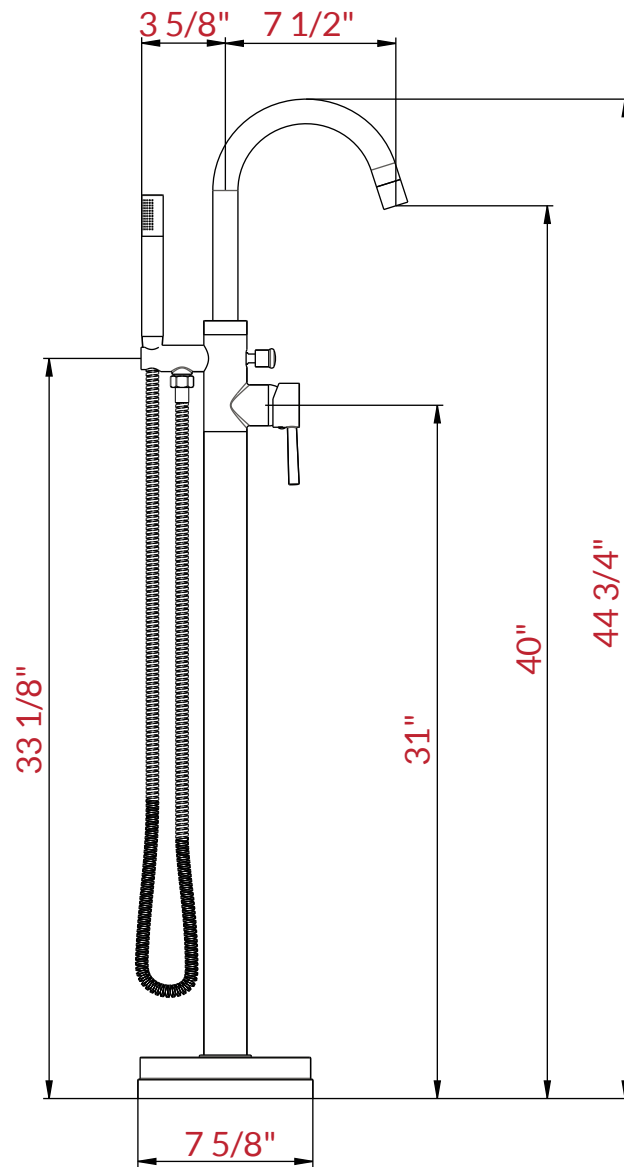


FREESTANDING FAUCET

LS5B/LS5C

INSTALLATION INSTRUCTIONS

PREPARATION FOR INSTALLATION



ATTENTION! Dimensions may vary by up to $\frac{3}{8}$ ". It is highly recommended to pull all dimensions of actual model for installation and measuring purposes.

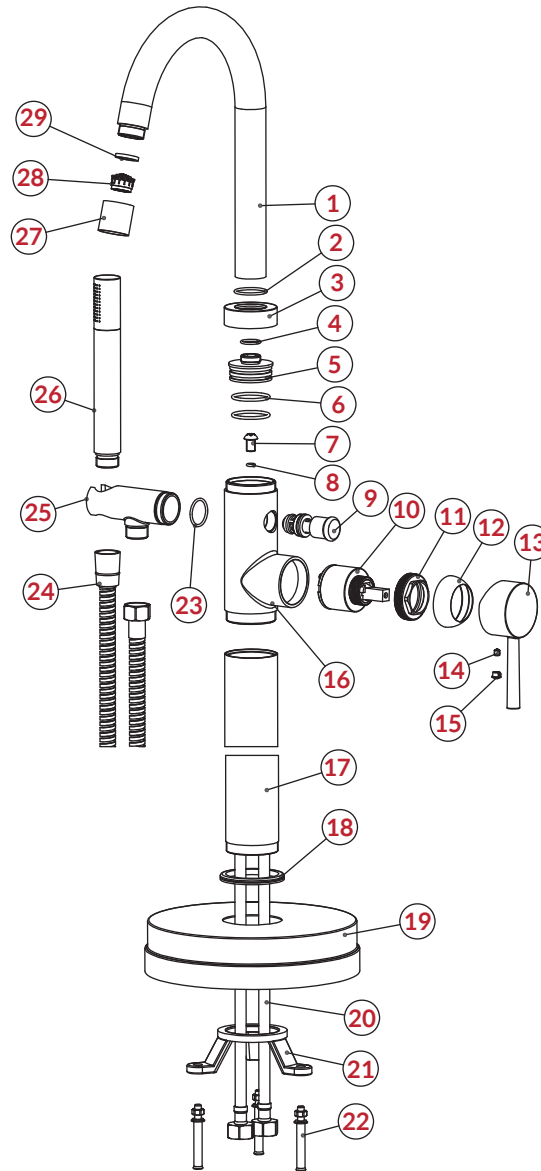
ATTENTION! Measurements in inches are rounded to the nearest $\frac{1}{8}$ ".

TECHNICAL DATA

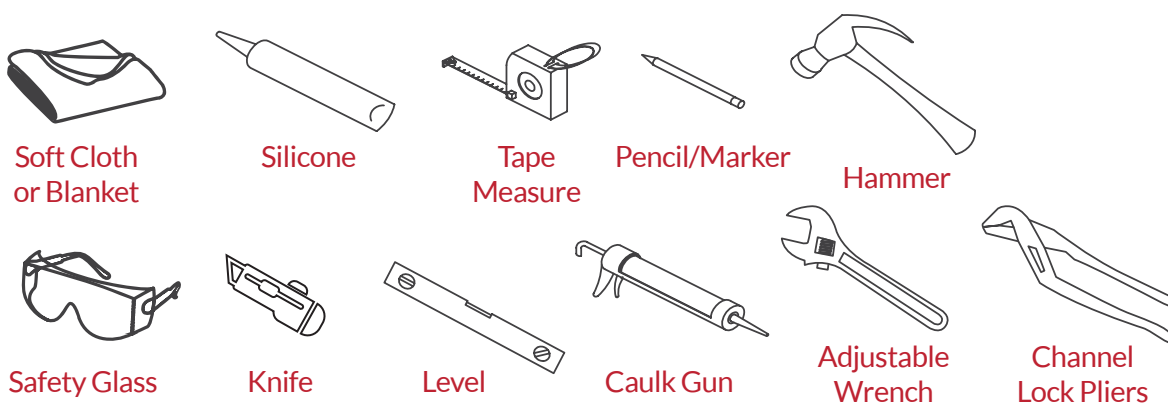
Max flow rate 2.5 GMP at 60 PSI

PARTS & COMPONENTS

No	Component
1	Spout Pipe
2	O-Ring
3	Press hat
4	O-Ring
5	Press Hat
6	O-Ring
7	Screw
8	O-Ring
9	Diverter
10	Cartridge
11	Press Hat
12	Cap
13	Handle
14	Screw
15	Canopy
16	Body
17	Take Over
18	Rubber Ring
19	Canopy
20	Flexible Hose
21	Triangle Plank
22	Explosion Screw
23	O-Ring
24	Flexible Hose
25	Support
26	Spray Head
27	Aerator House
28	Aerator
29	Washer

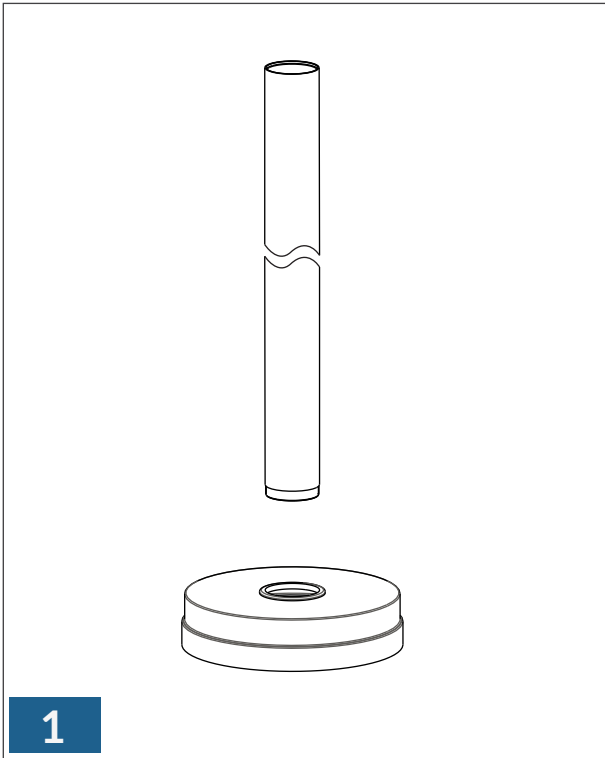


TOOLS REQUIRED FOR INSTALLATION

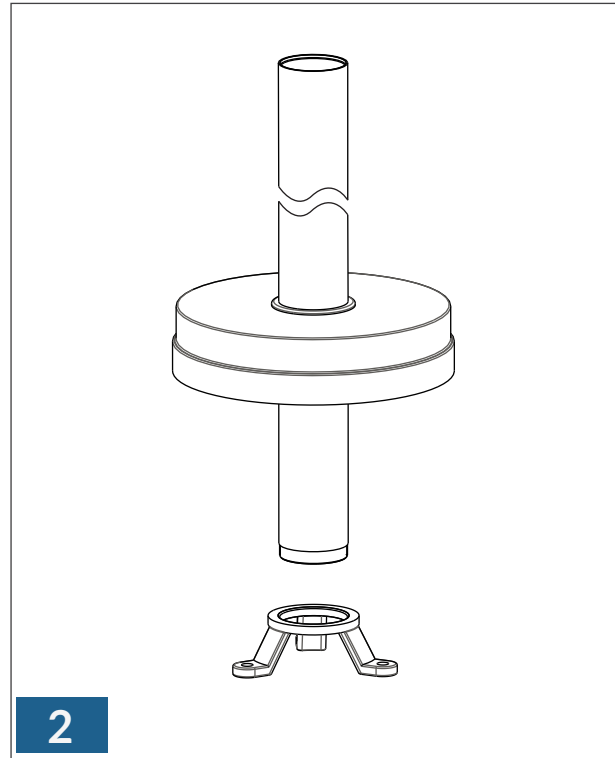


OTHER TOOLS MAY BE REQUIRED

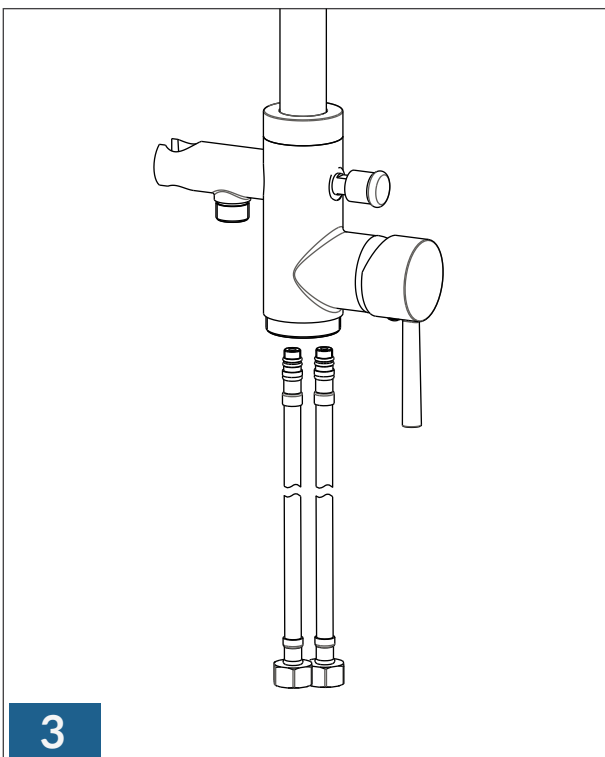
INSTALLATION INSTRUCTIONS



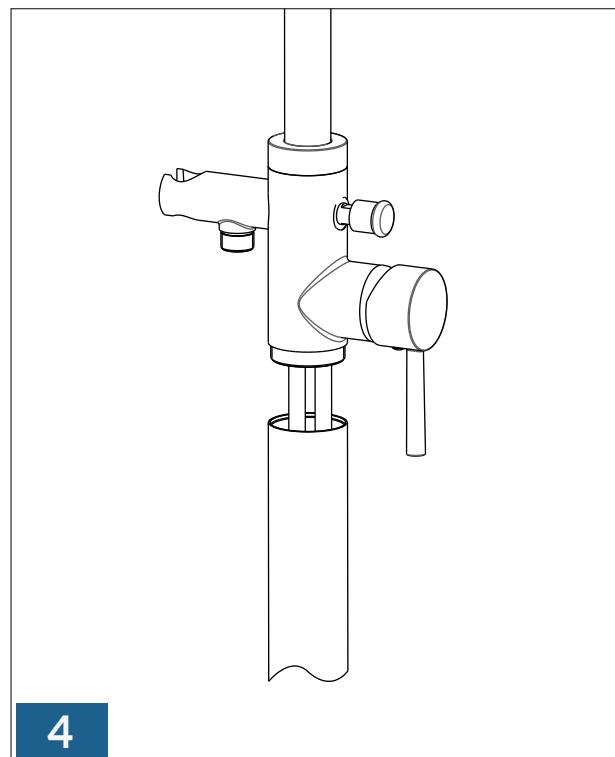
Put the base cover over the pipe.



Screw the pipe to the base.

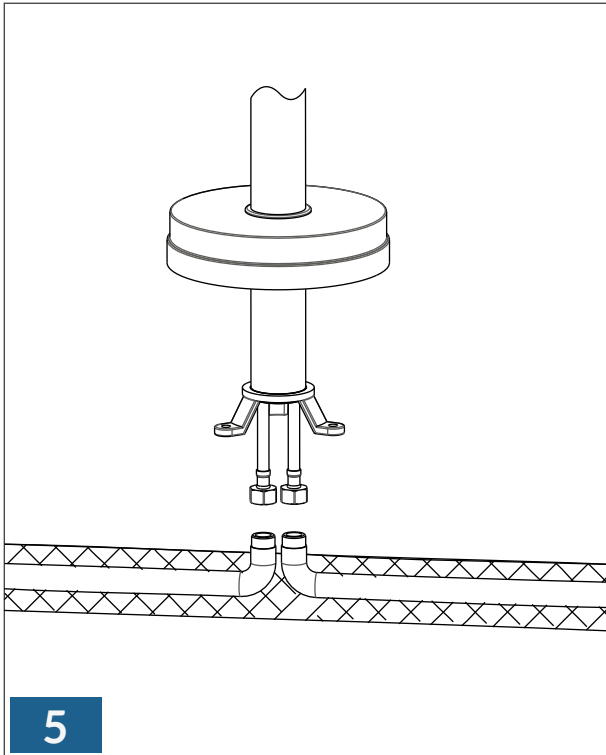


Install the flexible hose now and ensure the flexible hoses are hand tightened into place. (DO NOT USE SPANNER TO TIGHTEN AS IT CAN DAMAGE THE O-RING). The flexible hoses are to be fitted into the correct inlets for hot water and for cold water.



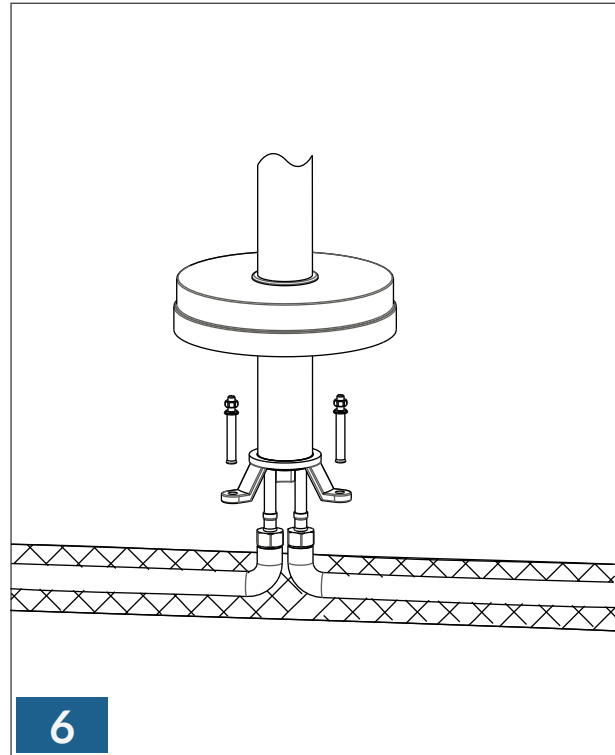
Fix the faucet body to the pipe.

INSTALLATION INSTRUCTIONS



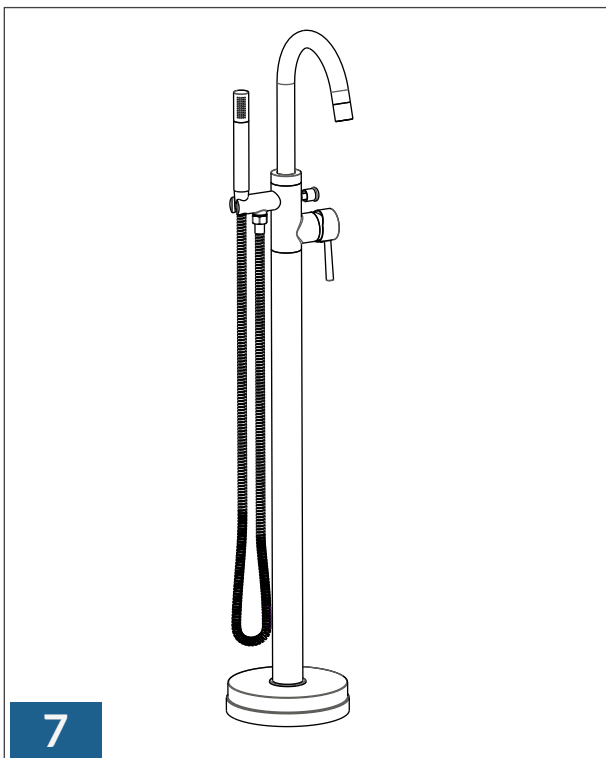
5

Connect another side of the flexible hose to the water supply pipe. Make sure they are to be fitted into the correct outlets for hot water and cold water.



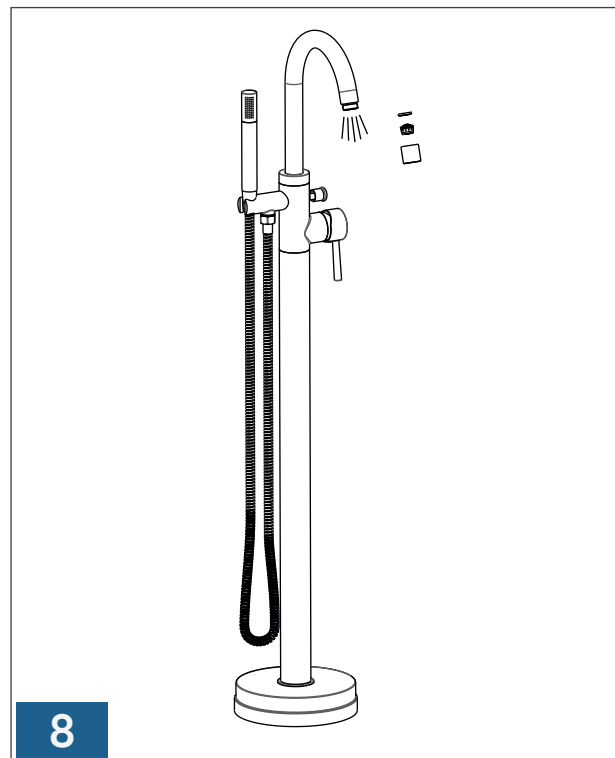
6

Use the explosion screw to fix the base on the ground. and put the base cover over the base.



7

Connect the shower hose and hand shower.



8

After installation is complete, remove Spray head and rotate handle to the close position. Turn Water Supply Valves on, and check all connections for leak. Flush faucet by running hot and cold water in full position for one minute. Re tighten the Aerator.



READ ALL INSTRUCTIONS BEFORE UNPACKING THE PRODUCT

INSTRUCTIONS THAT, IF IGNORED COULD RESULT IN DEATH OR SERIOUS INJURY CAUSED BY INCORRECT HANDLING OR INSTALLATION OF THE PRODUCT. THESE INSTRUCTIONS MUST BE OBSERVED FOR SAFE INSTALLATION.



INSTALLATION OF LESSCARE PRODUCTS BY AN
INEXPERIENCED INSTALLER MAY RESULT
PERSONAL INJURY OR DEATH!



LessCare reserves the right to change, update, modify, alter, redesign this manual/product or its policies without prior notice! It is your responsibility to visit website to download or contact customer service for the most updated version of the installation instructions.

LessCare shall not be liable for any injuries or property damages in connection with this product during installation or use of this product!

LessCare products must be installed by a fully insured and licensed plumber only. Installation of any LessCare product by anyone other than fully insured and licensed plumber shall void limited warranty. LessCare recommends that such licensed plumber have experience in the installation of products.

Limited warranty is void on any commercial installation

LessCare is not responsible for local code compliance for this product. Building and plumbing codes may vary from state-to-state in accordance to your location. LessCare is not responsible for providing any compliance certifications.

LessCare is not responsible to provide any type of certifications for this product

Under no circumstances LessCare shall not be liable for any and all incidental damages sustained in connection with this product

Neither manufacture, nor distributor, nor retailer is responsible for water damage or flood caused due to use of this product.

Under no circumstances LessCare shall not be liable for any and all fees, cost of installation/reinstallation/removal, subsequent damage or transportation in case of the product defect

Maintenance & Care

IMPORTANT!

DO NOT USE: Abrasive cleaners such as: acid, ammonia, bleach, and similar solutions. Use of such solutions may cause corrosion, finish peeling, and/or dull the surface.

DO NOT USE: Abrasive sponges or cloth. Never use steel, wool, or wired brushes that will permanently scratch the surface.

Retain these installation instructions for future reference!



Thank you for using LessCare products!